



1(x1)






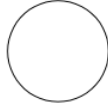
2(x4)



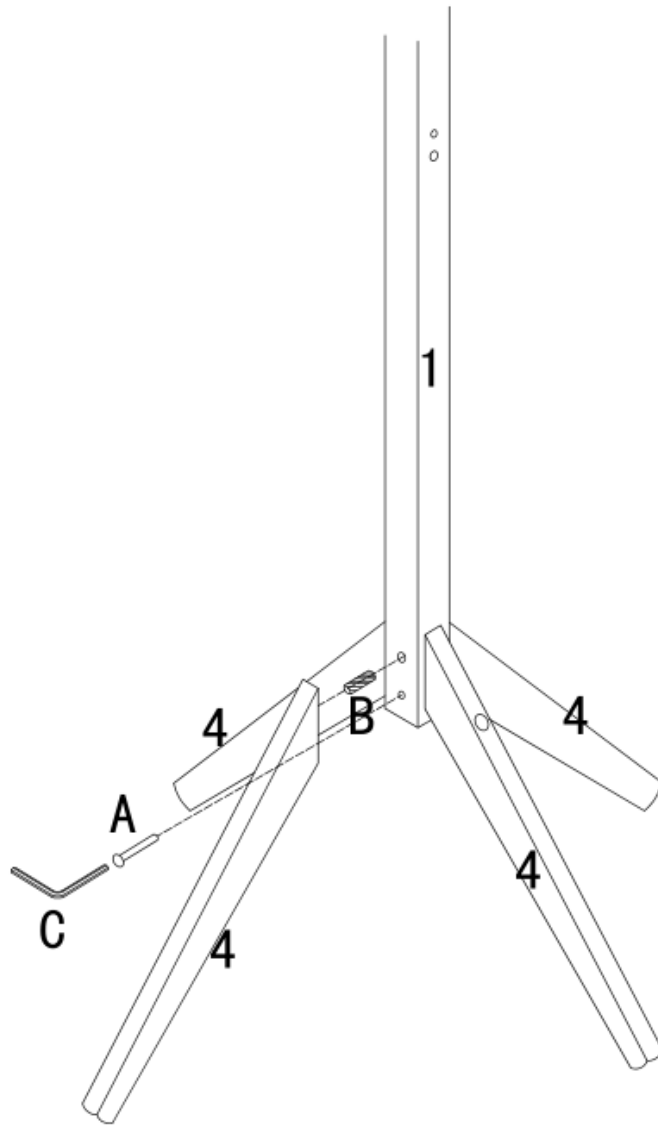
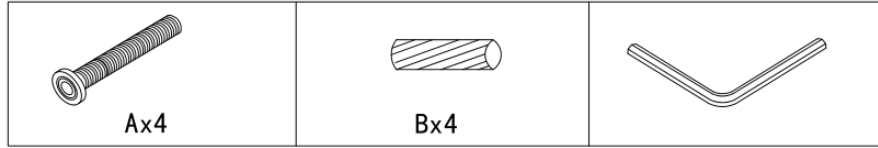
3(x4)



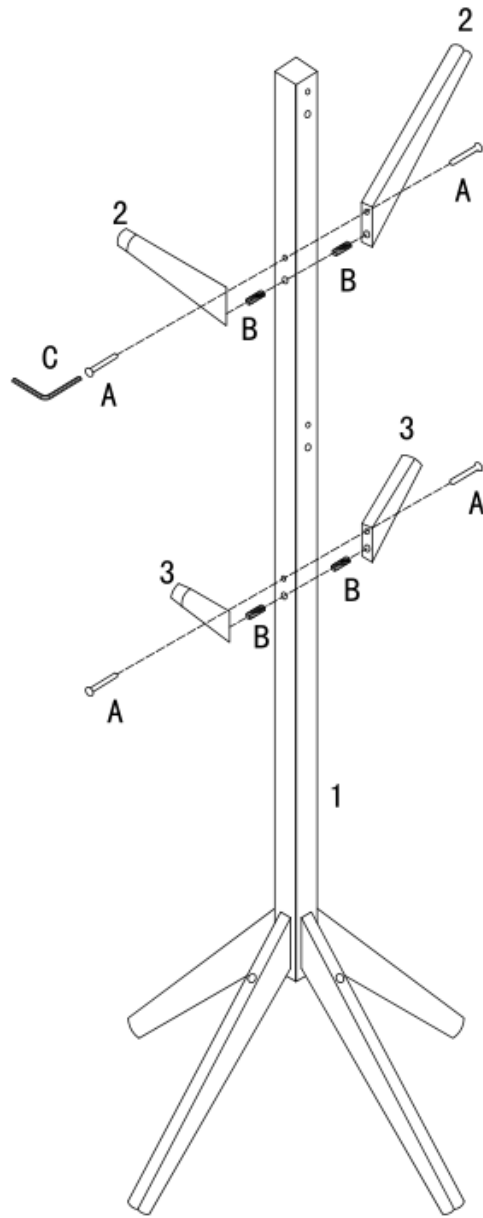
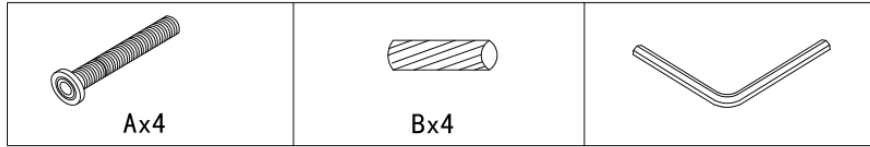
4(x4)

					
M6x40	Ax12	∅ 8x30	Bx12	Cx1	Ex12

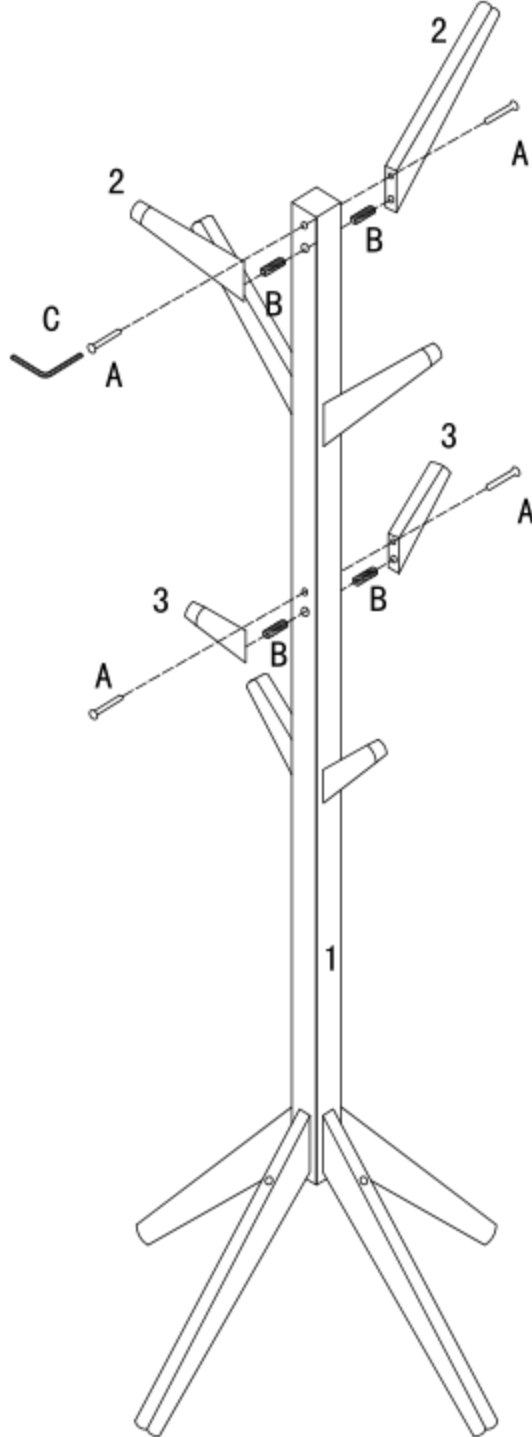
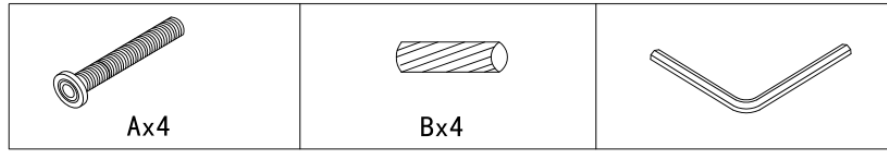
**1**



2



3



4

	E x12	
---	-------	--

