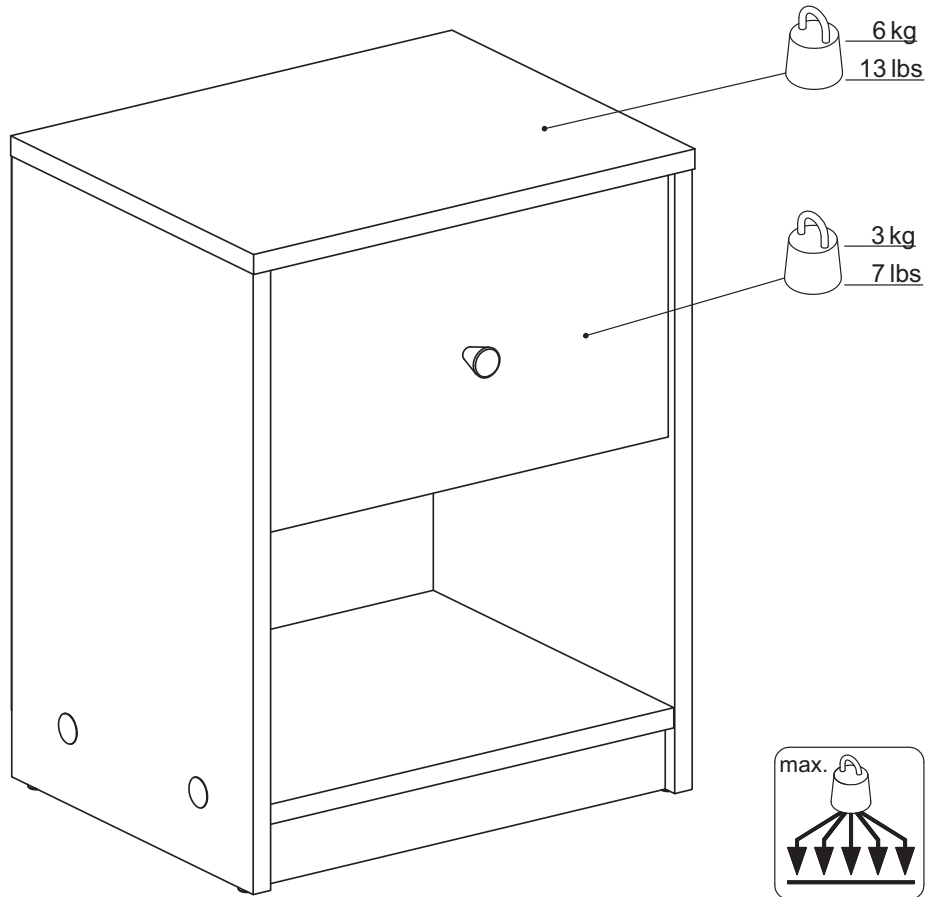
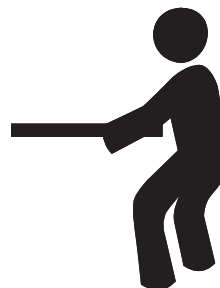


# tvilum

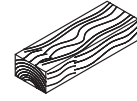
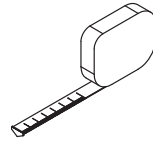
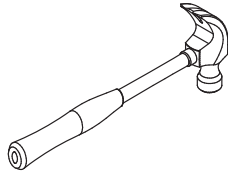
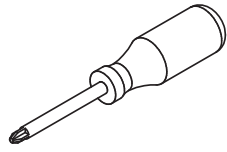


**70331** B

[www.tvilum.com](http://www.tvilum.com)



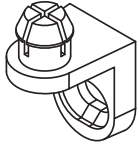
Scan for assembly video



10901  
x4



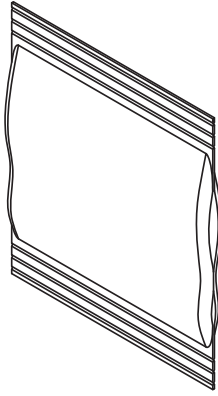
11023  
x1



20209  
x10



22601  
x1



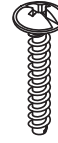
23006  
x25



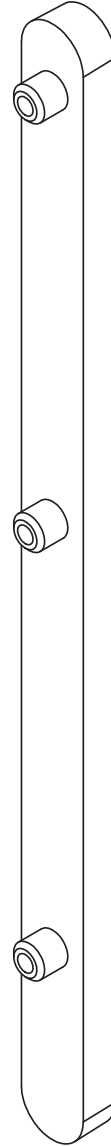
25233  
x1



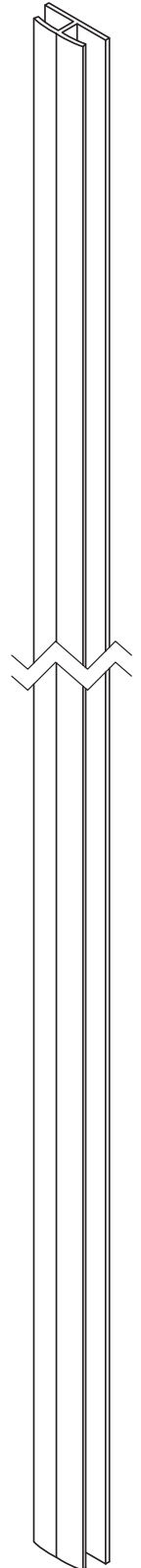
25506  
x1



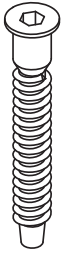
42615  
x2



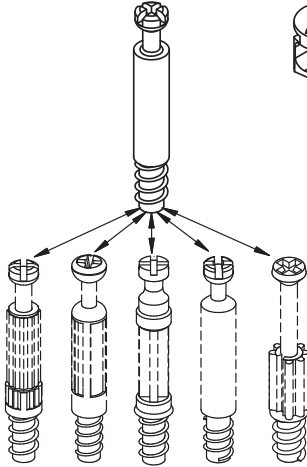
74407  
x1



25610  
x4



31513  
x4



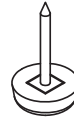
31624  
x2



31643  
x2



63001  
x4



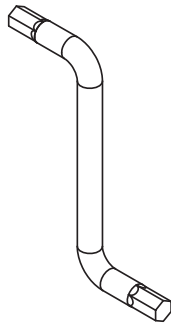
81018  
x1

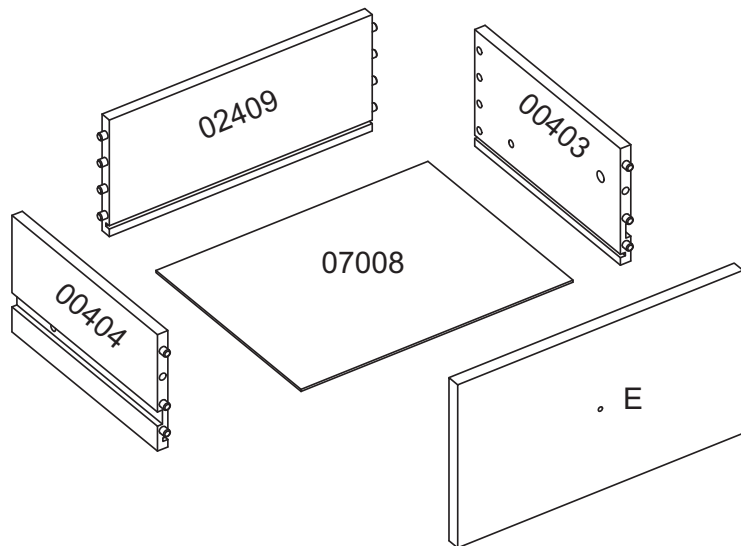
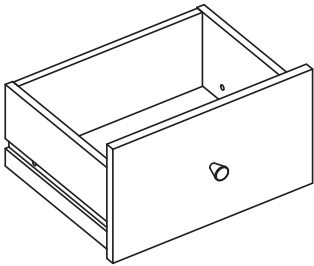
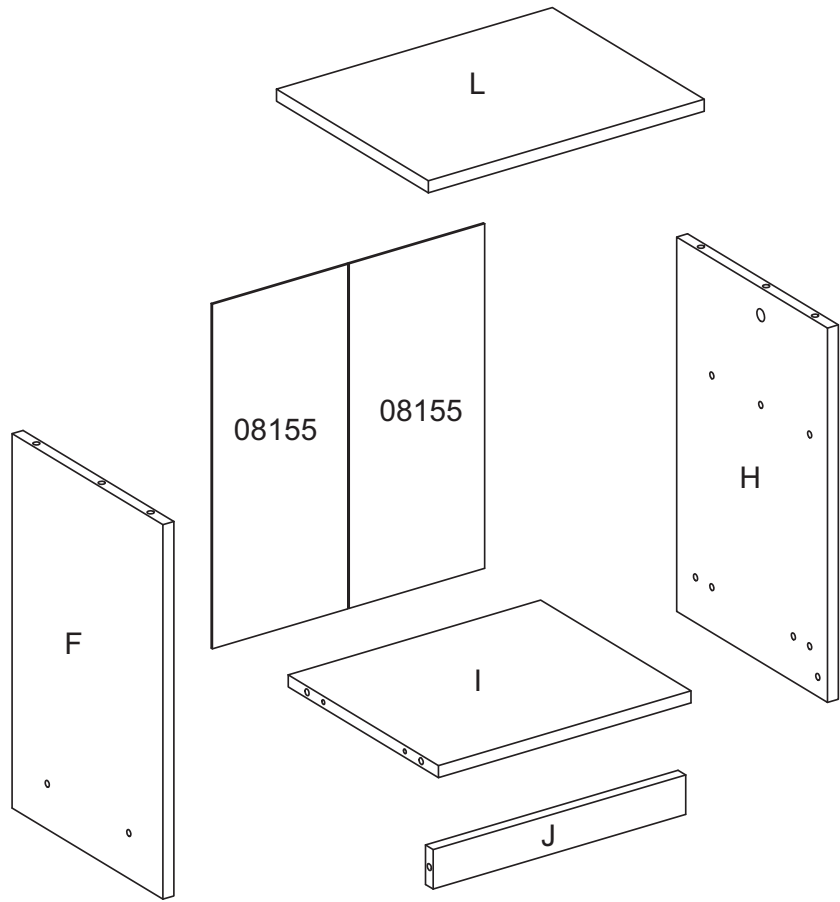
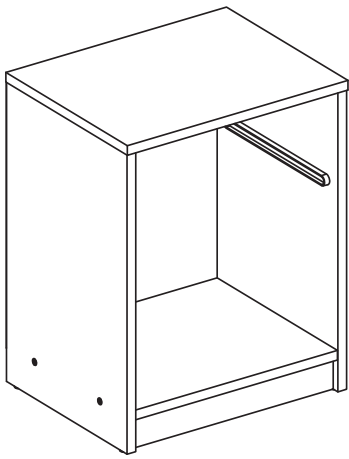


97201  
x2

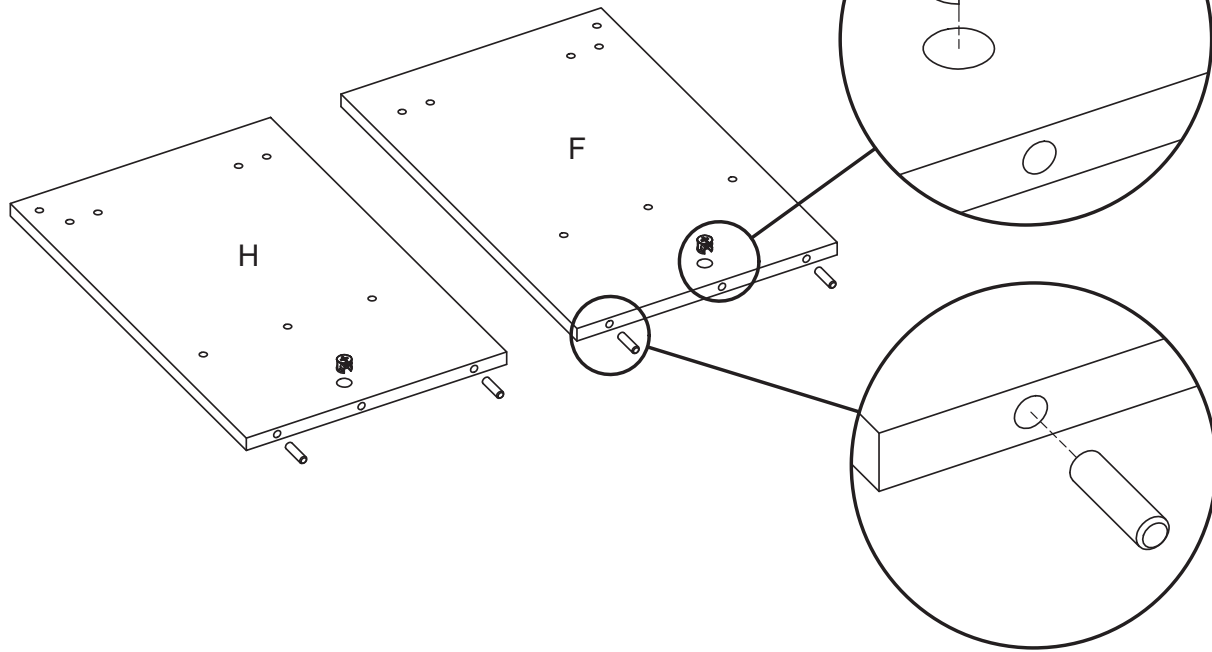
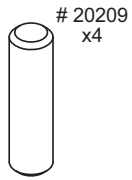


97642  
x1

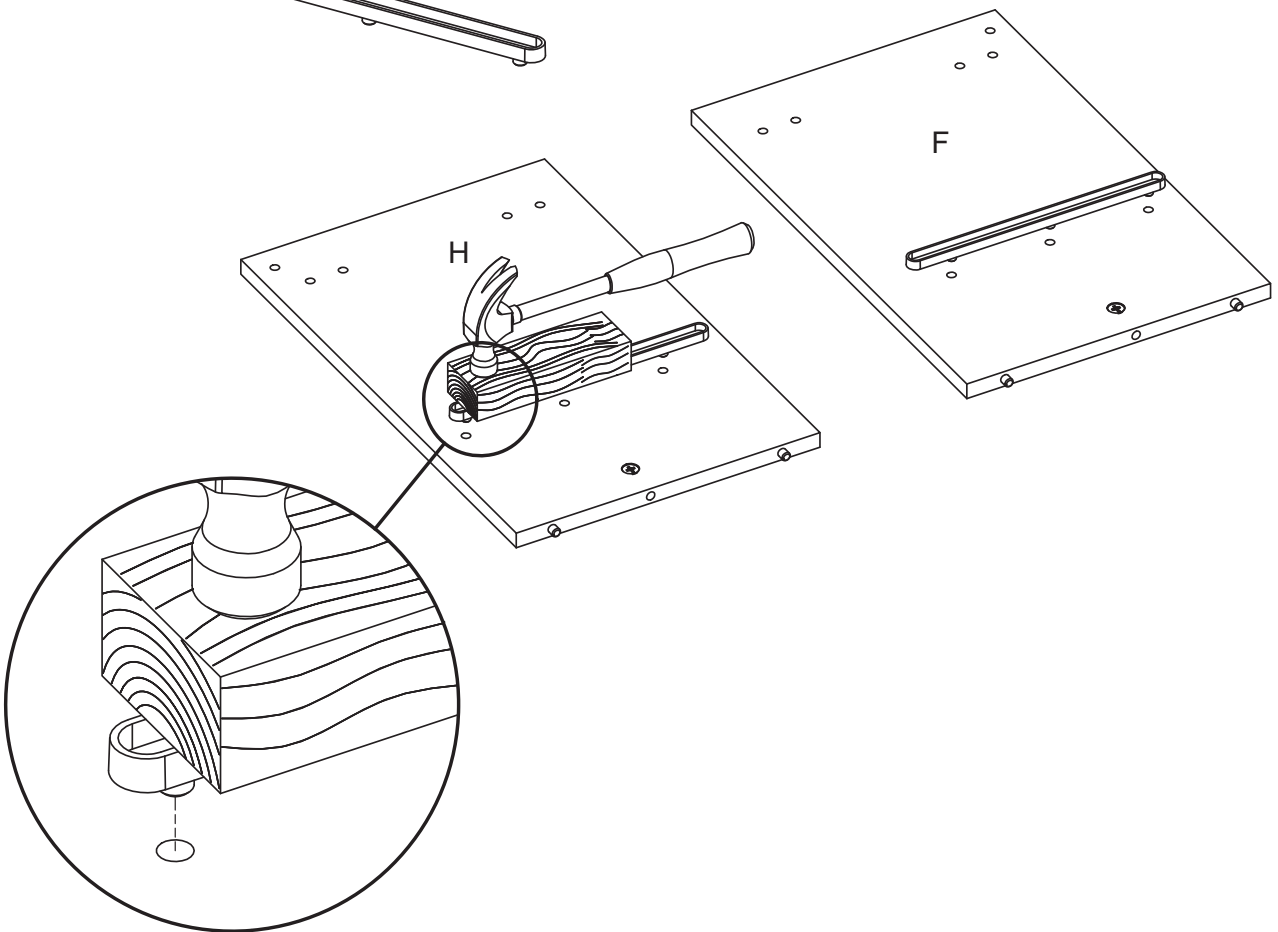
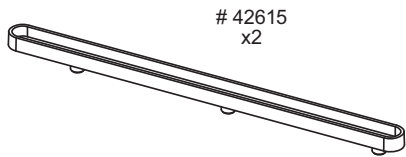




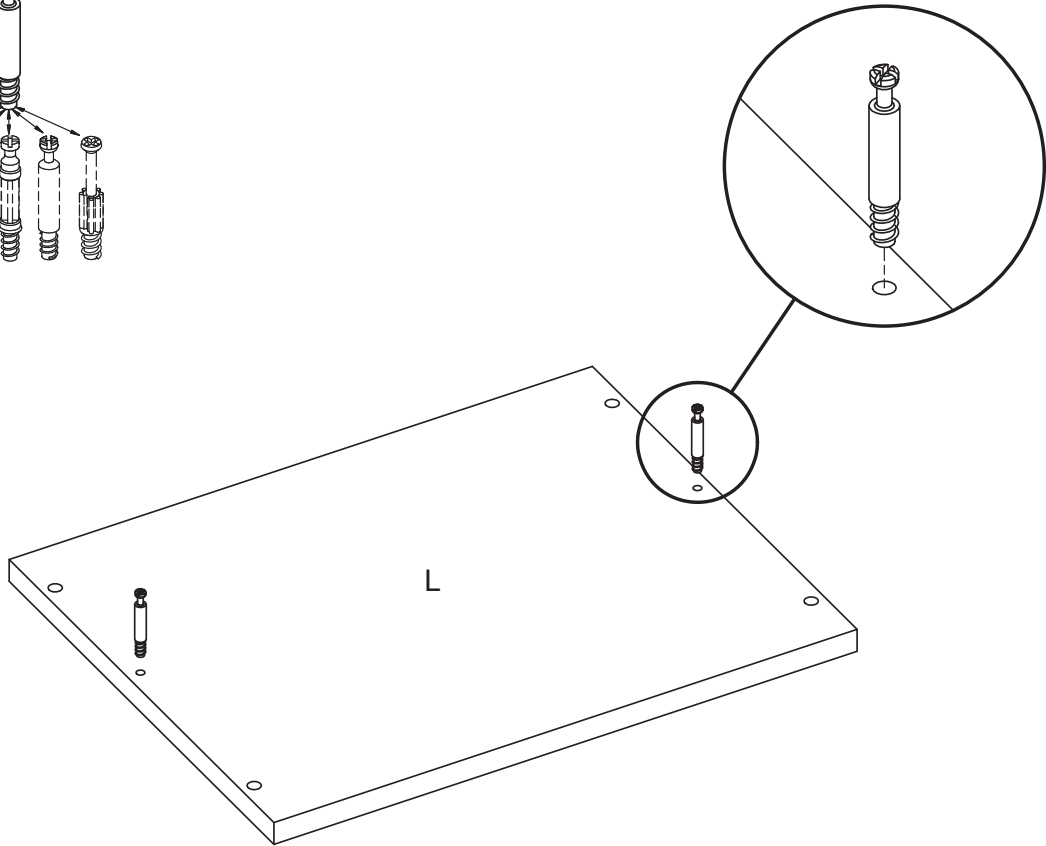
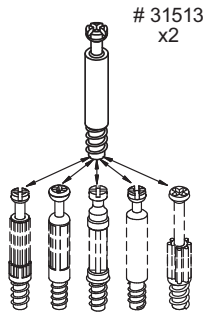
1



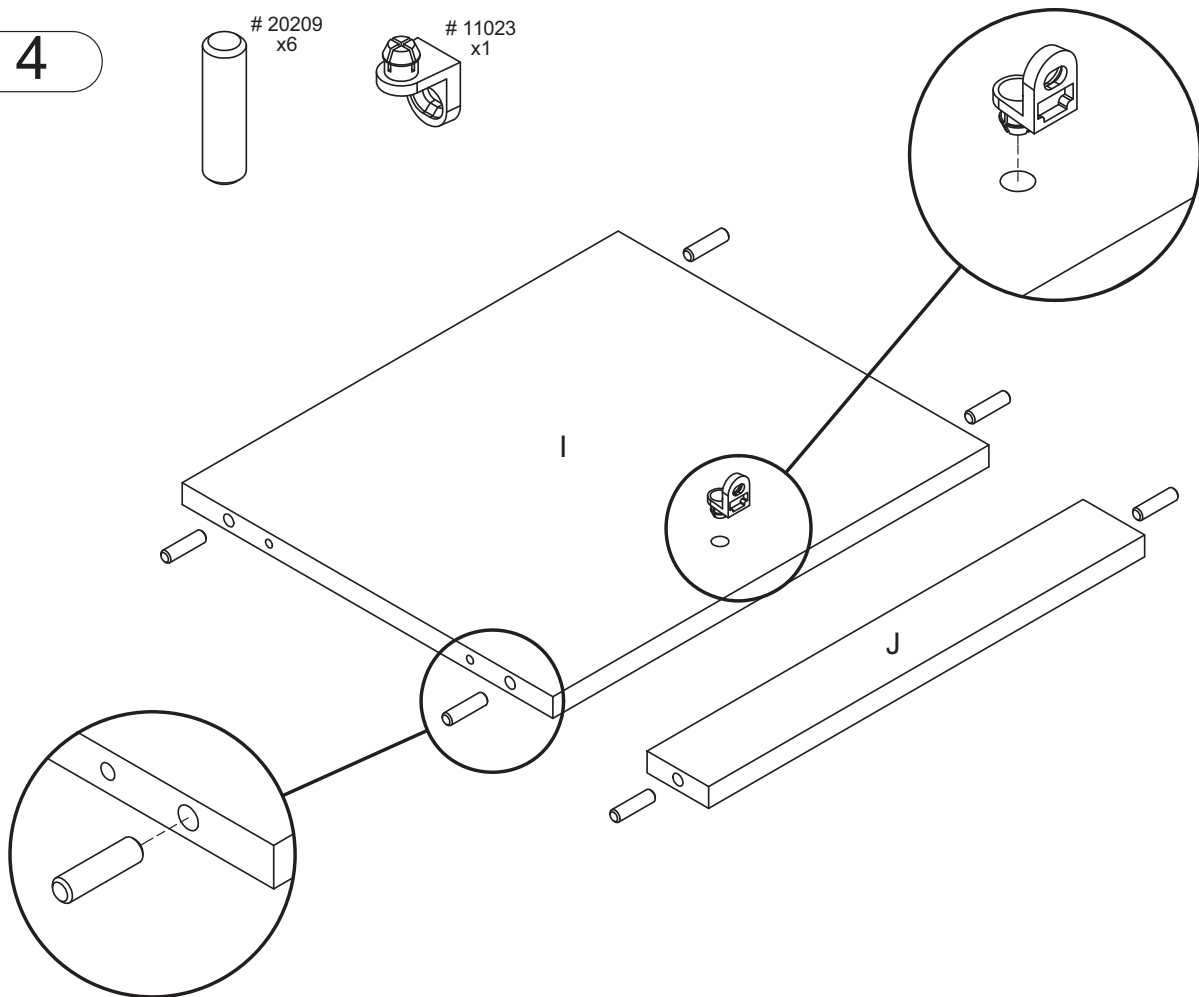
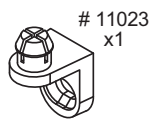
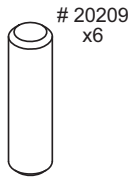
2



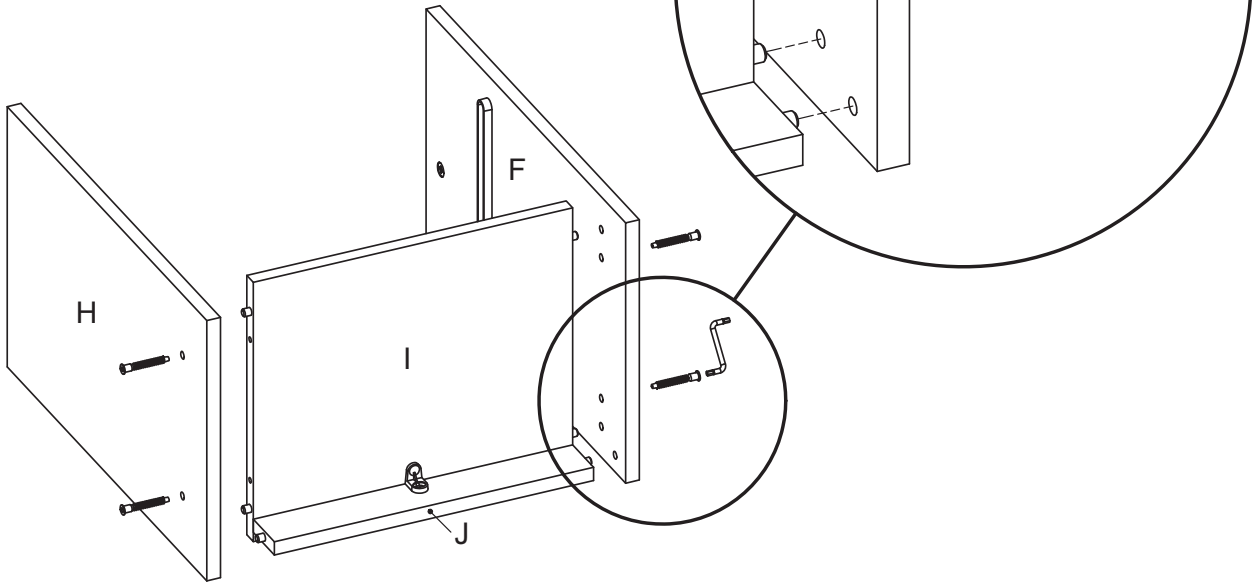
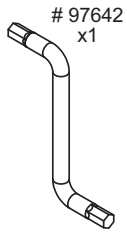
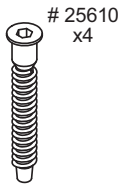
3



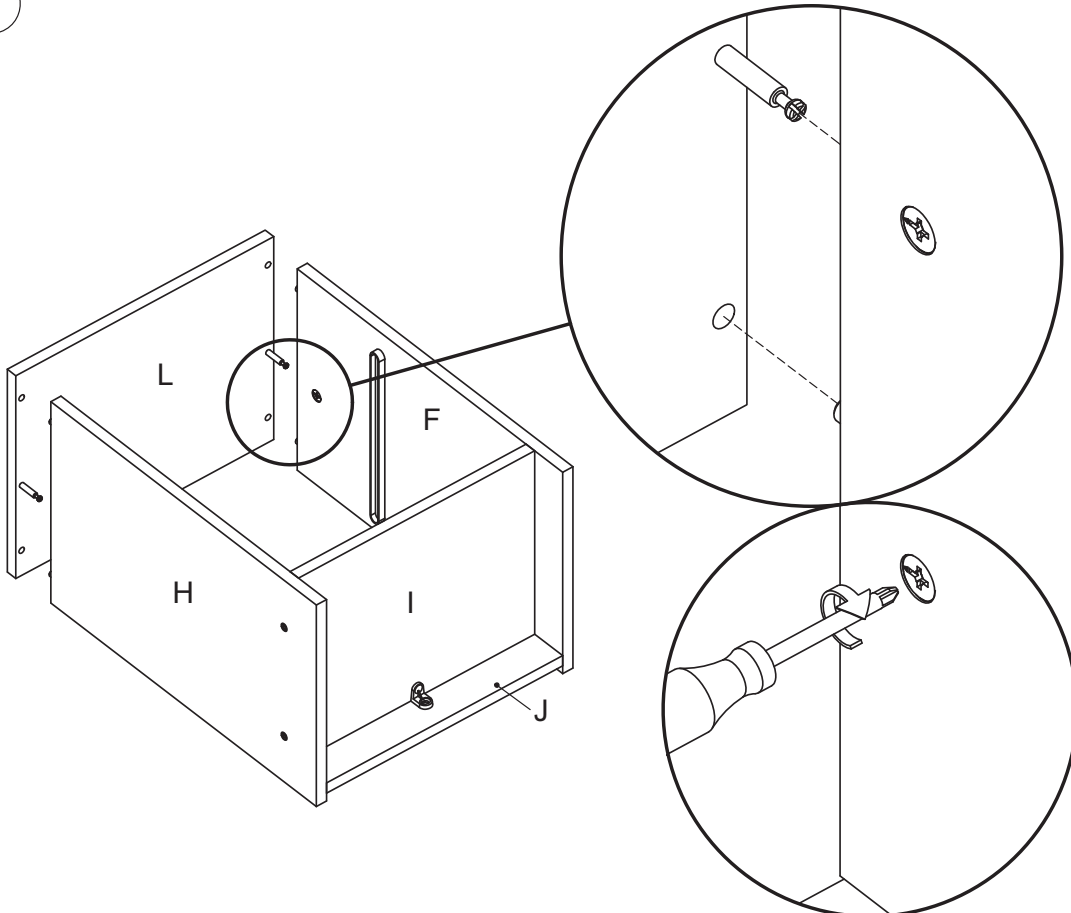
4



5



6

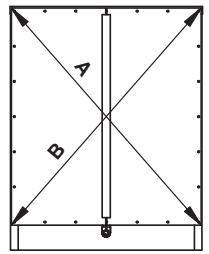
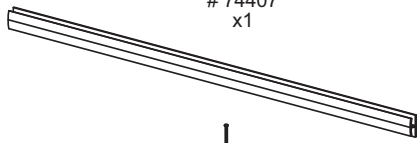


7

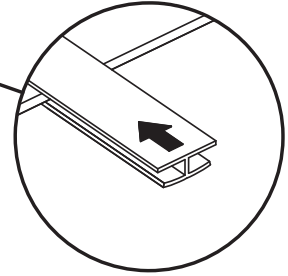
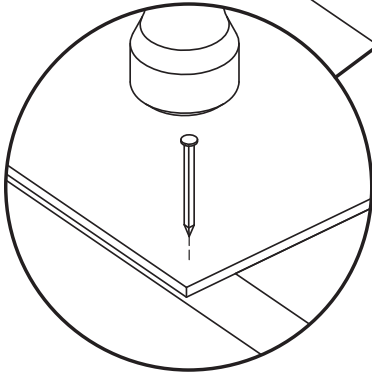
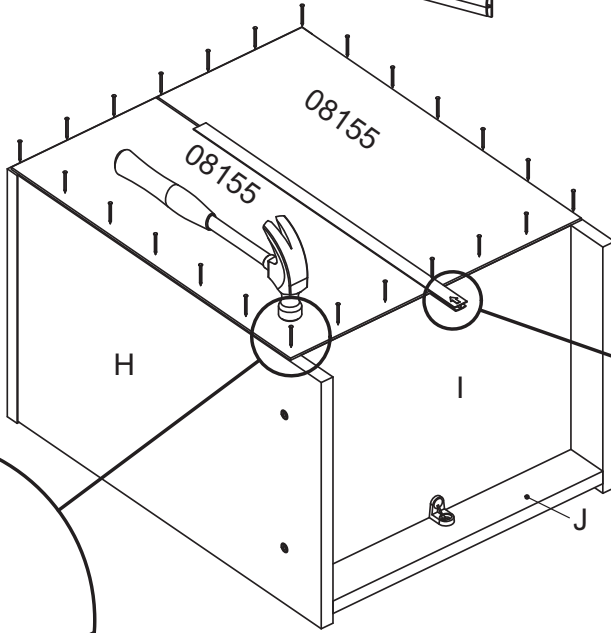
# 23006  
x25



# 74407  
x1

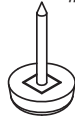


A = B

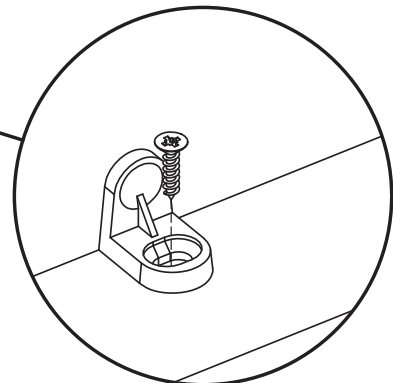
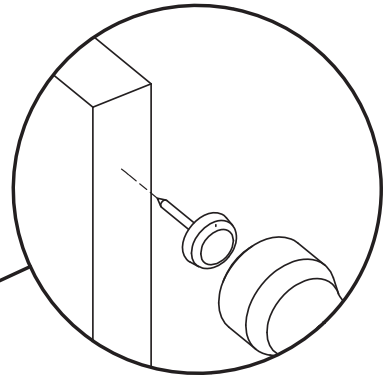
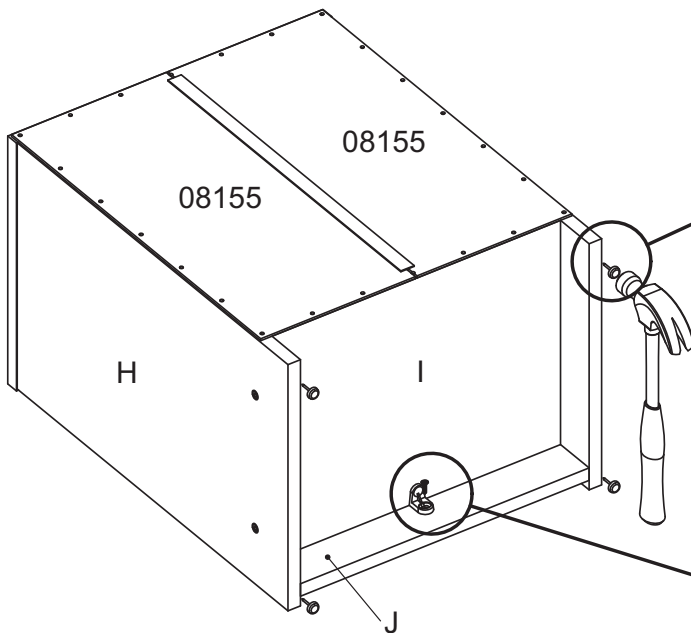


8

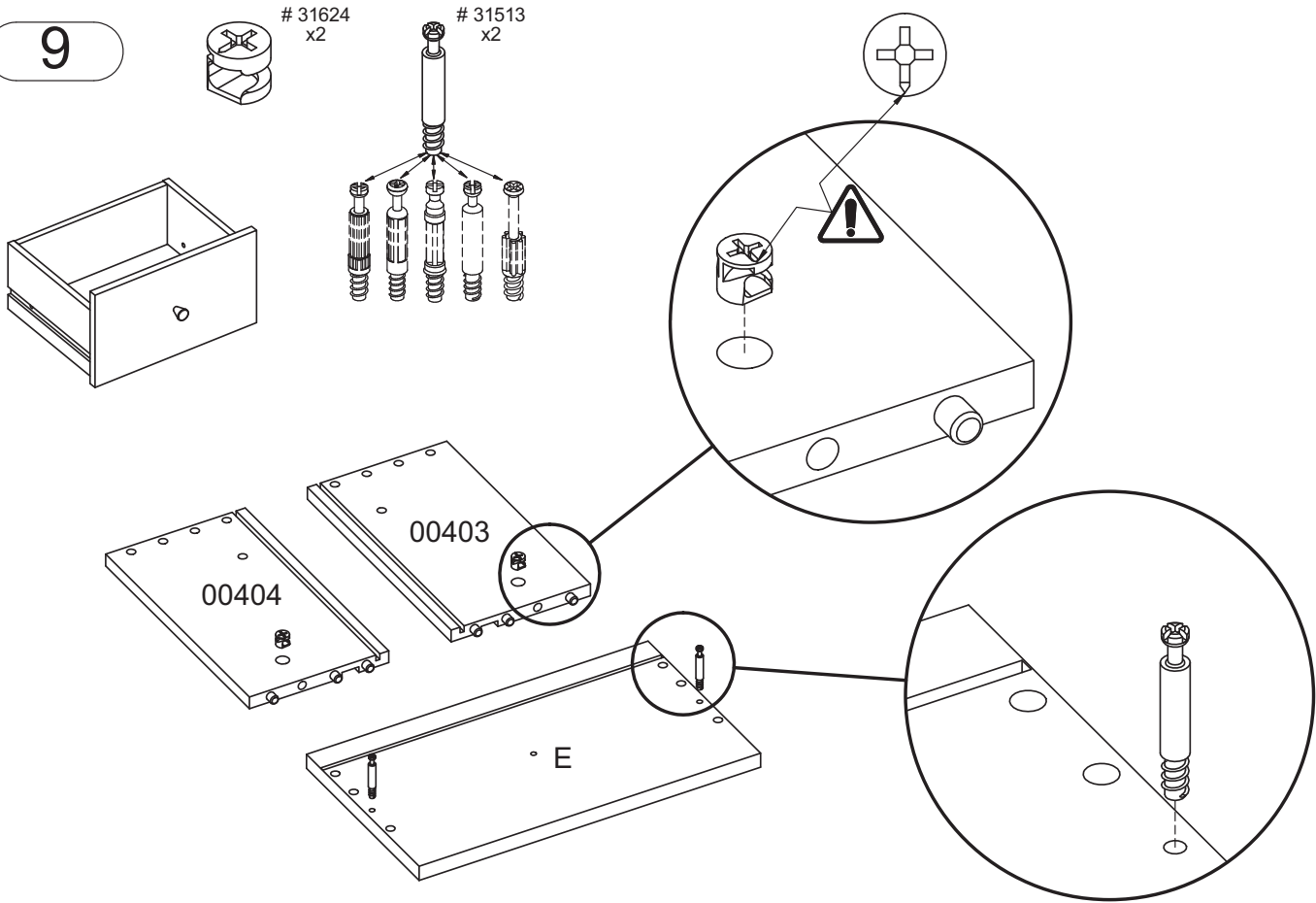
# 63001  
x4



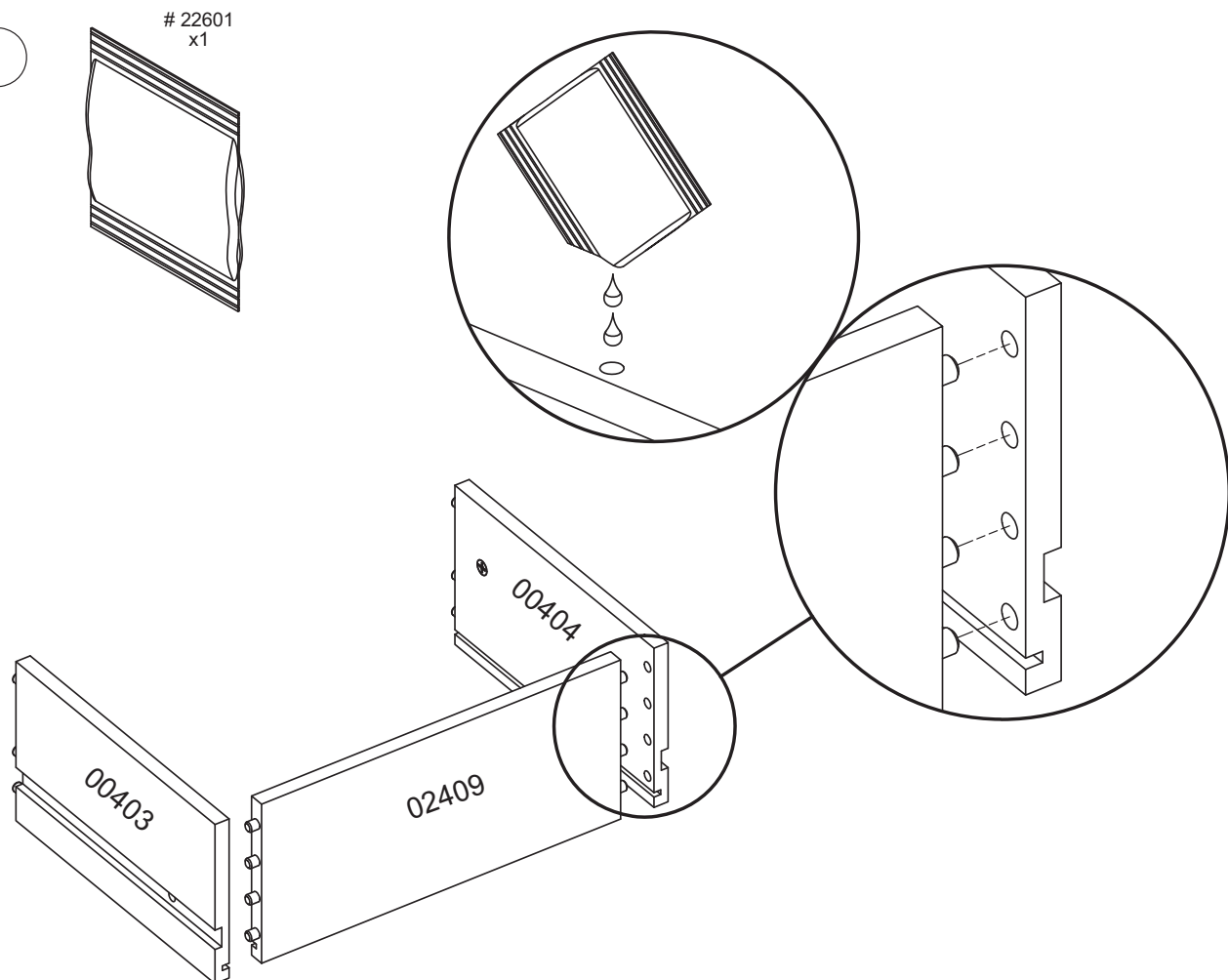
# 25233  
x1



9

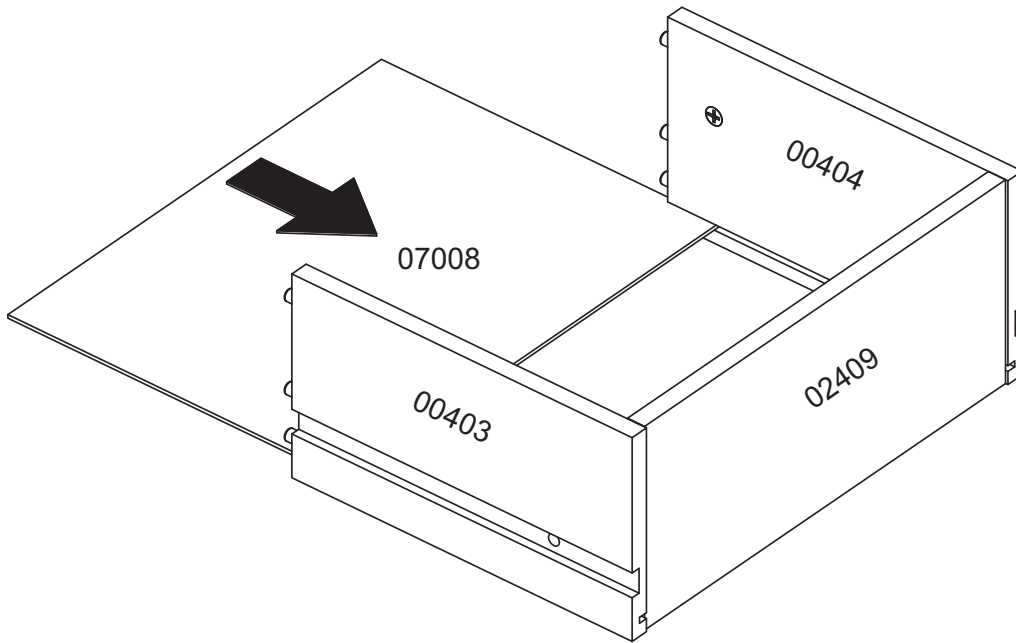


10

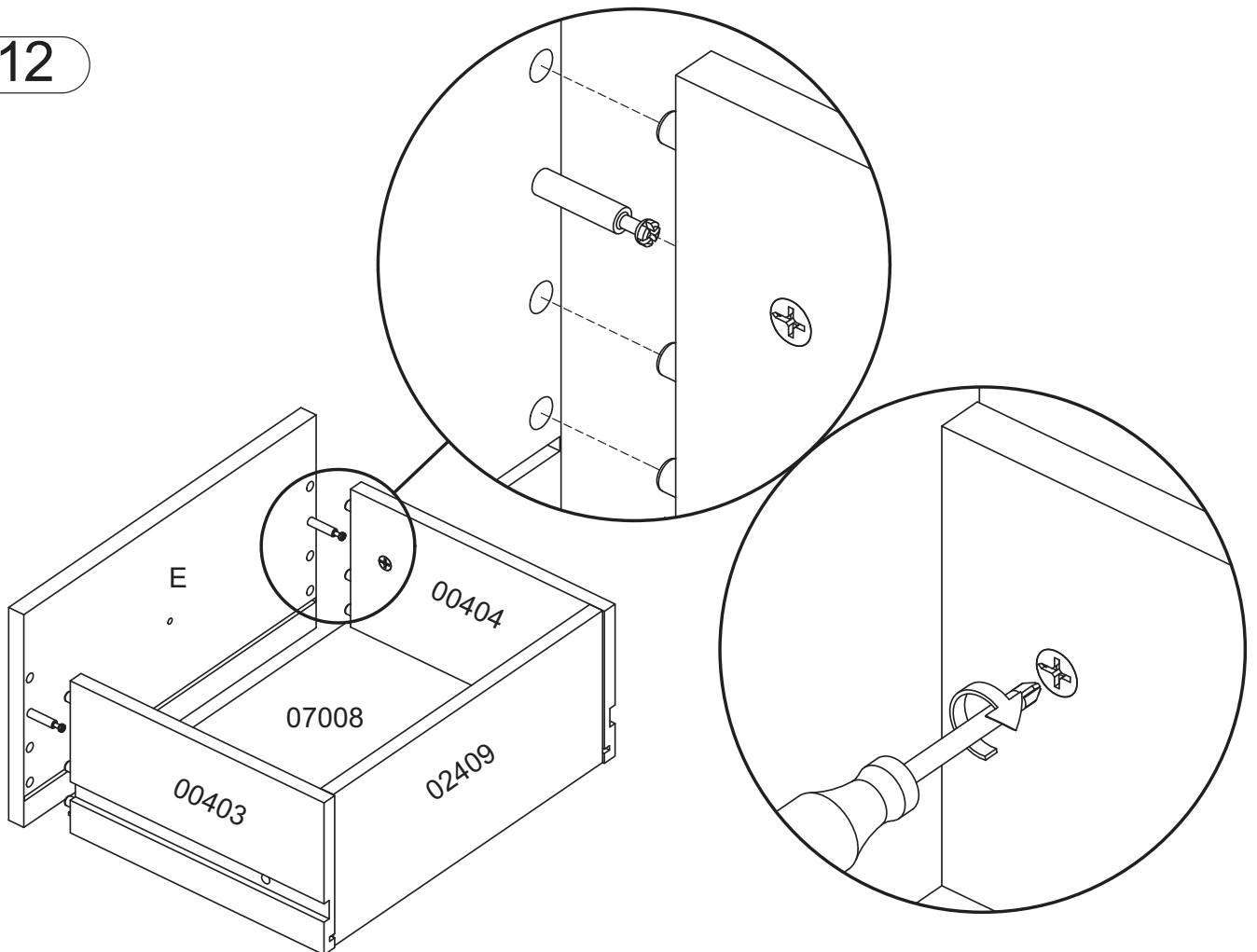




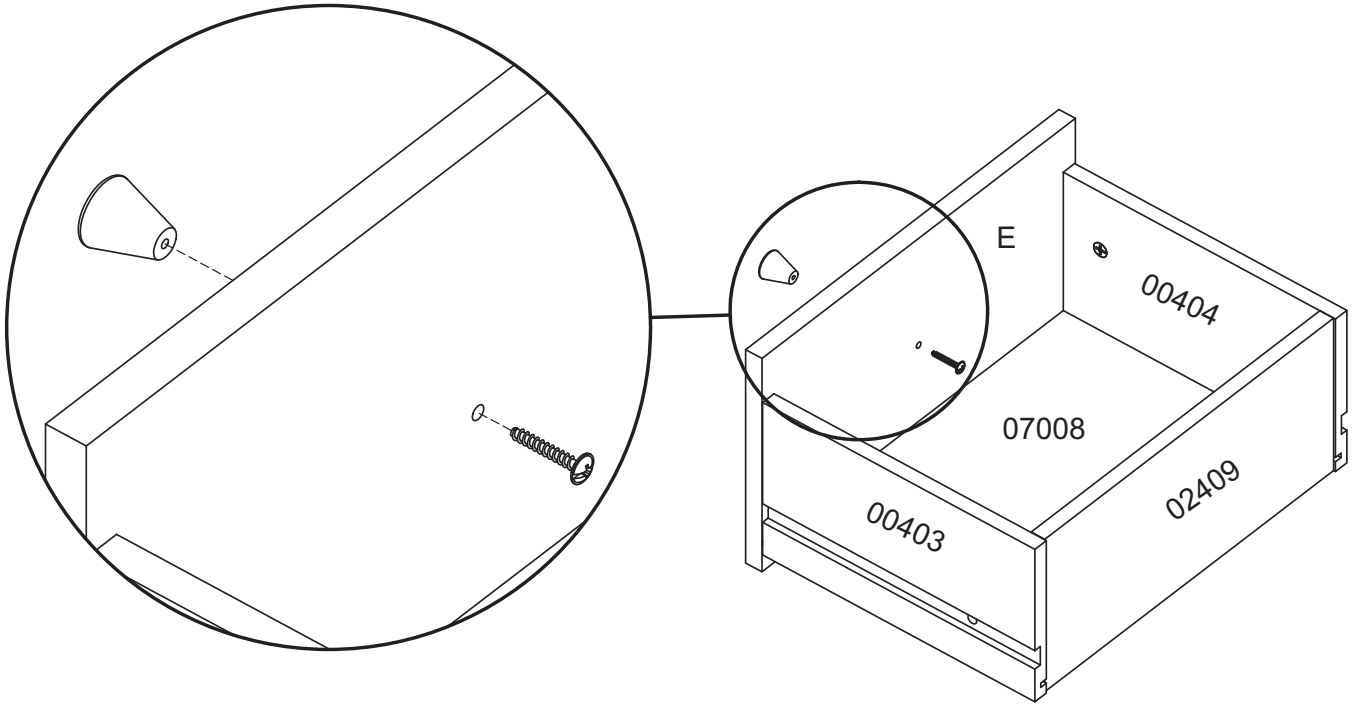
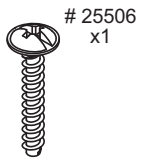
11



12



13



14

