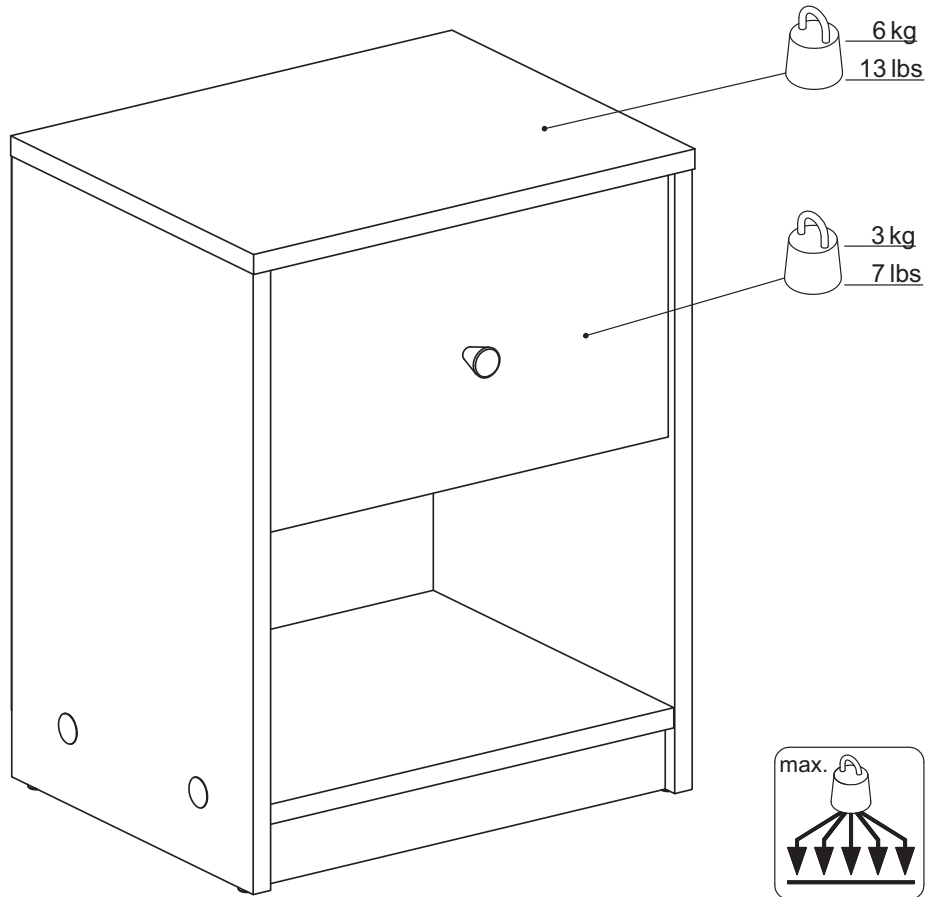
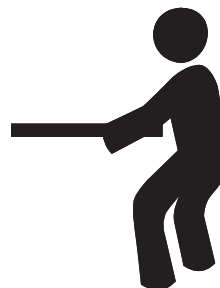


tvilum



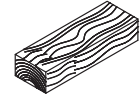
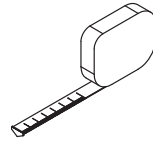
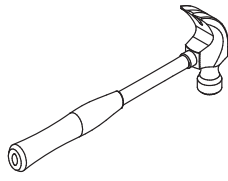
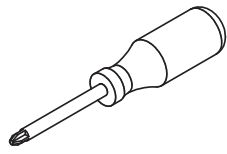
70331 B

www.tvilum.com



Scan for assembly video

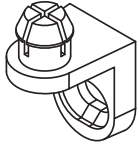
70331-50



10901
x4



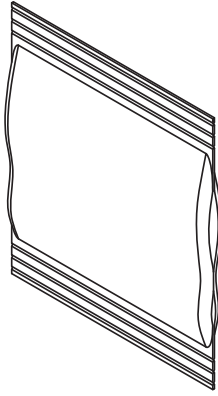
11023
x1



20209
x10



22601
x1



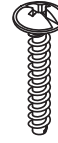
23006
x25



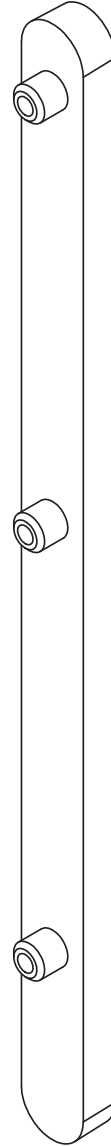
25233
x1



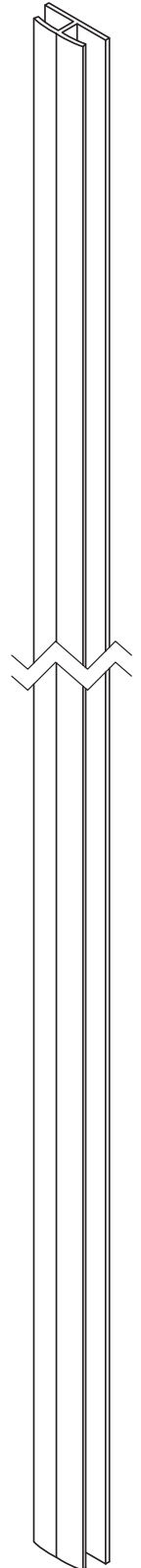
25506
x1



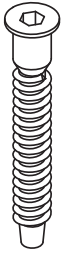
42615
x2



74407
x1



25610
x4



31513
x4



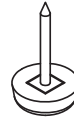
31624
x2



31643
x2



63001
x4



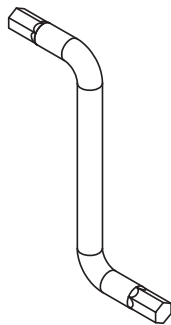
81018
x1

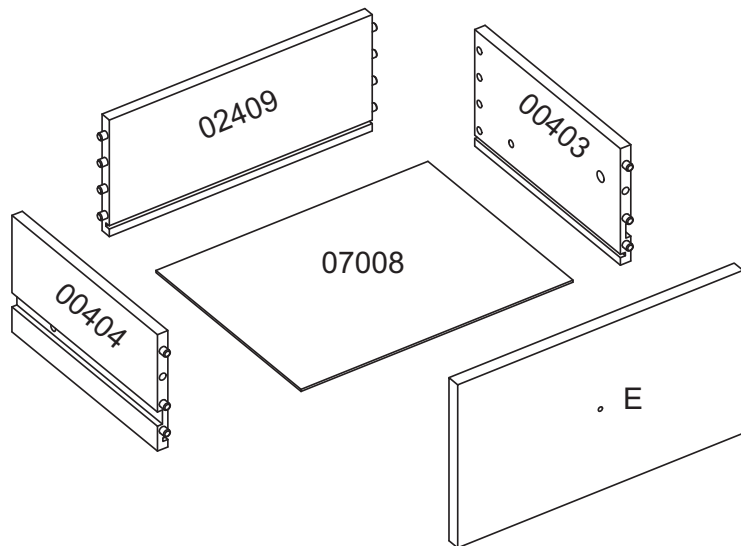
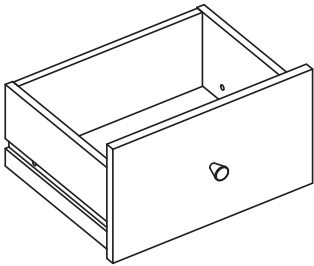
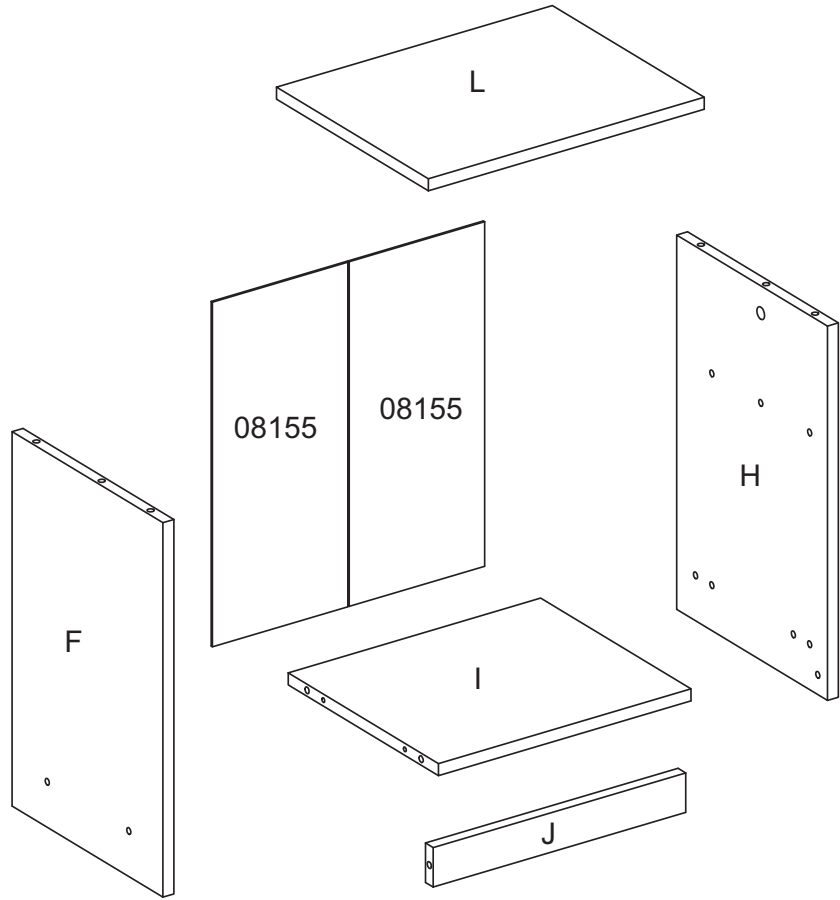
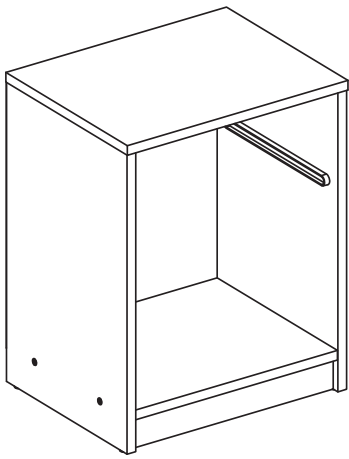


97201
x2

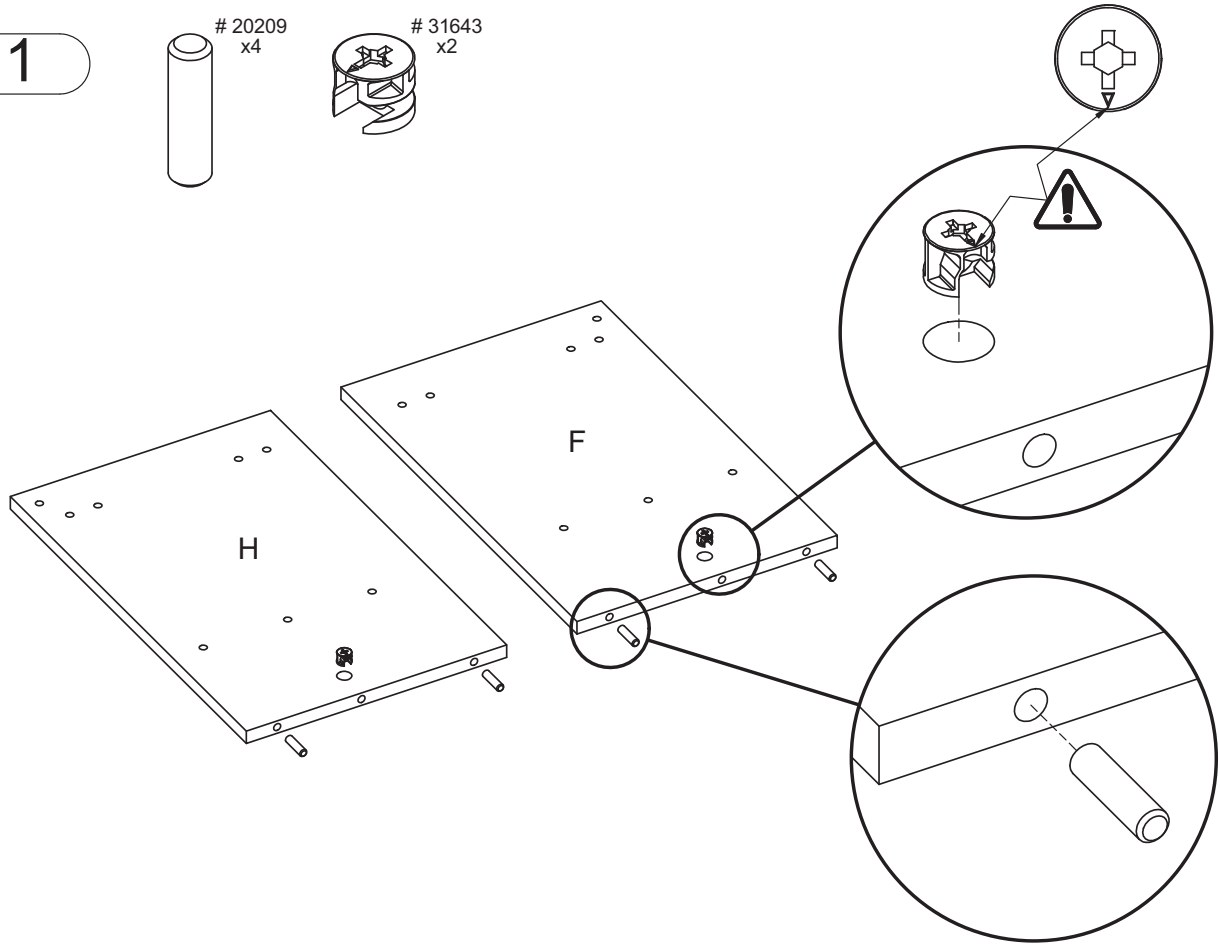
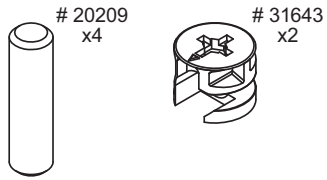


97642
x1

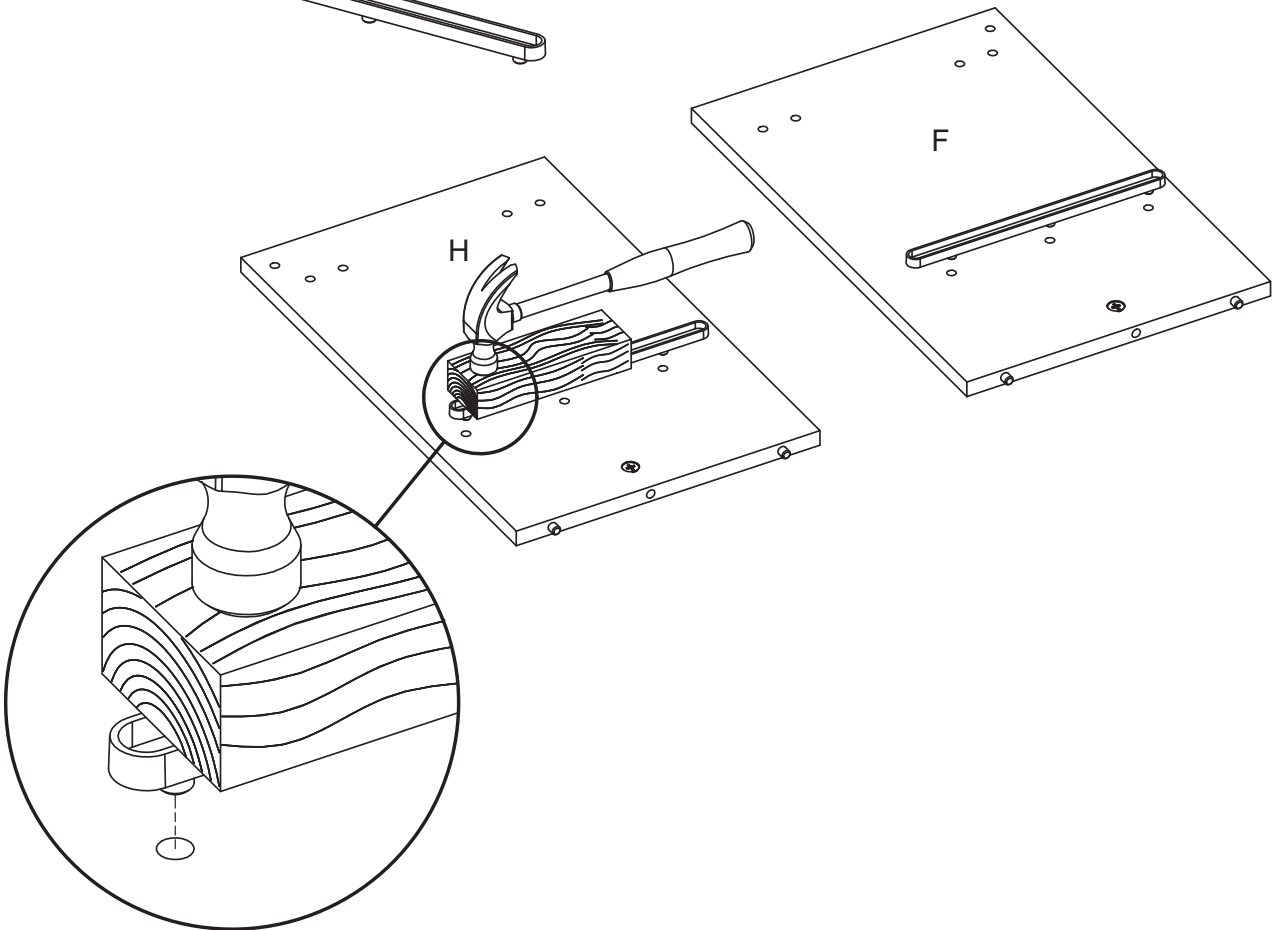
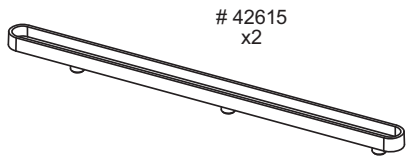




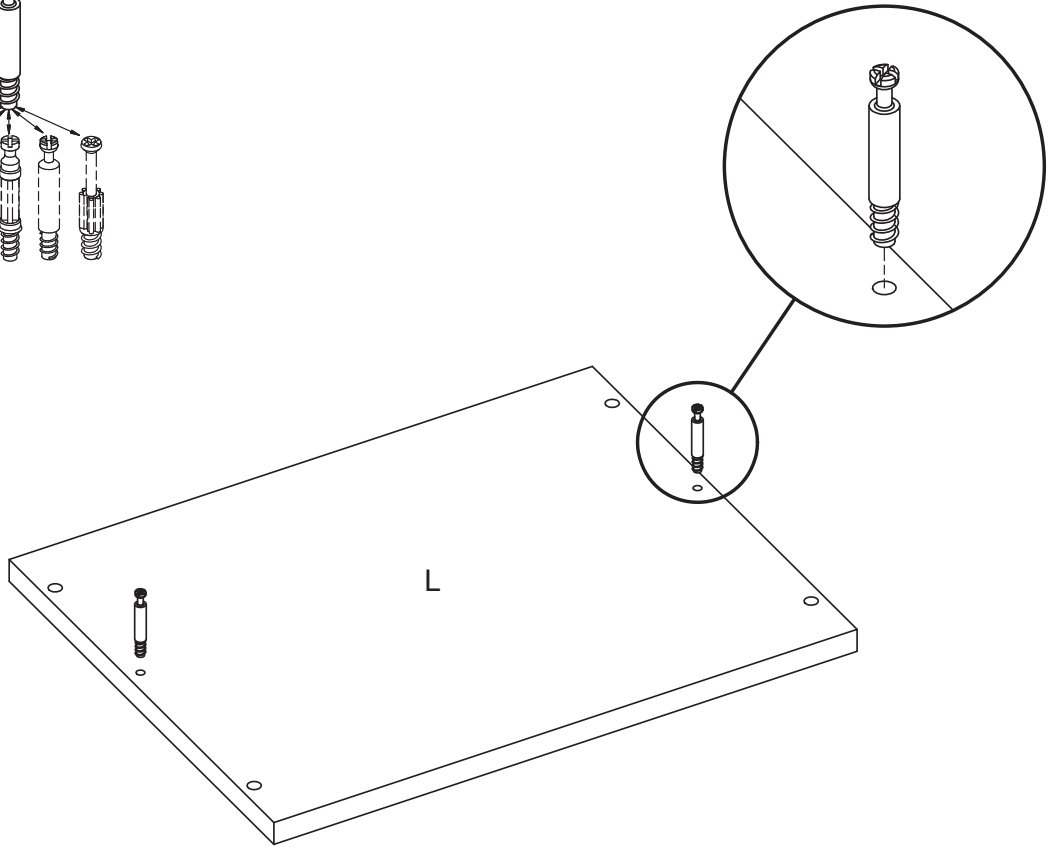
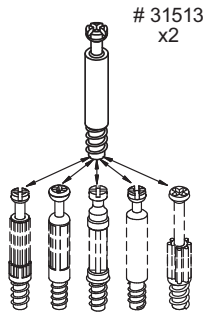
1



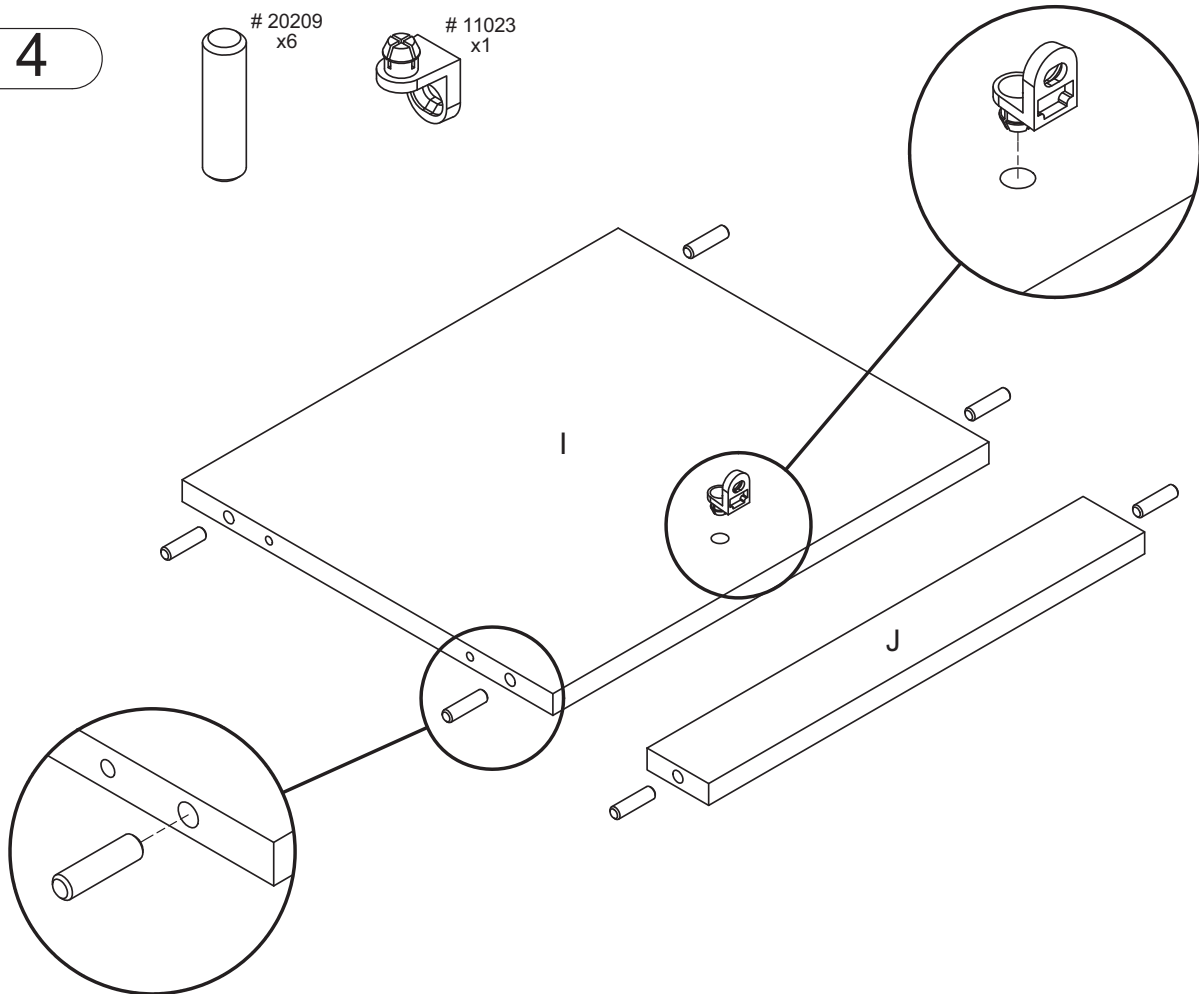
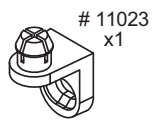
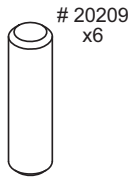
2



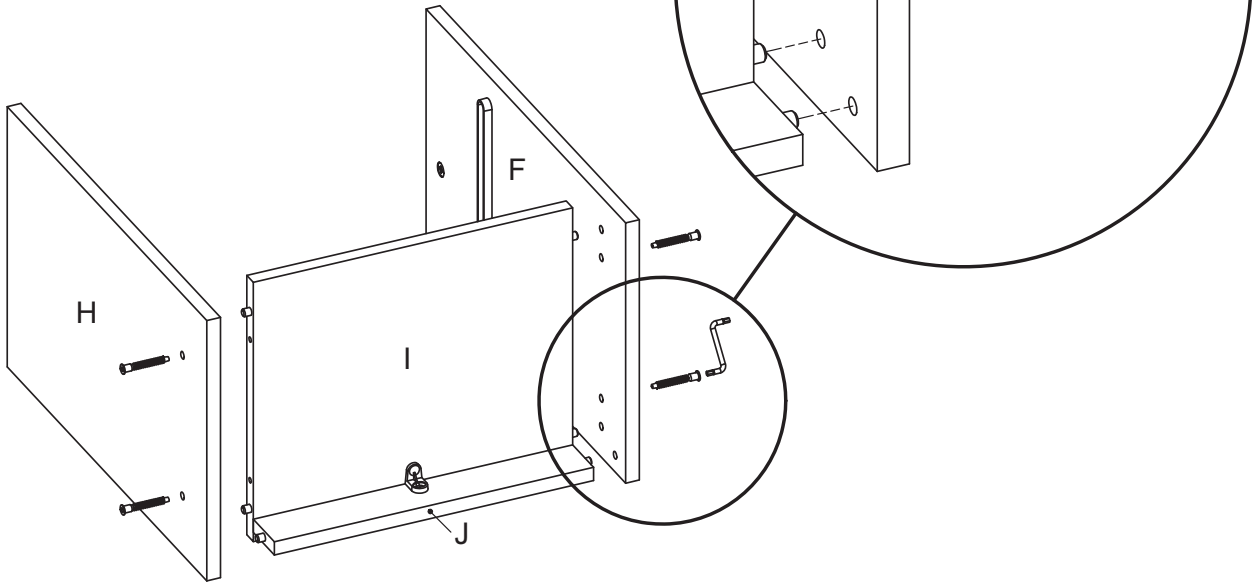
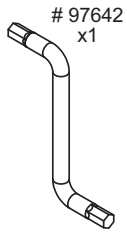
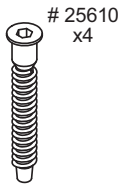
3



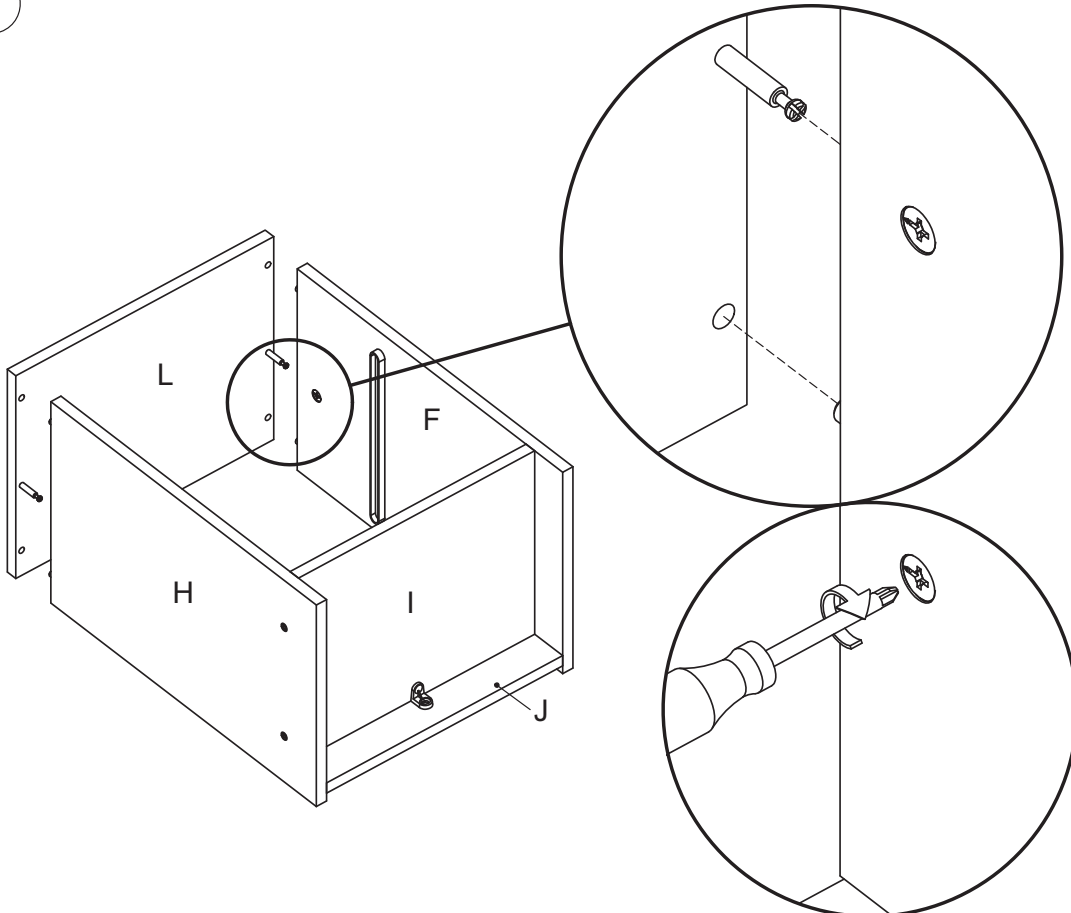
4



5



6

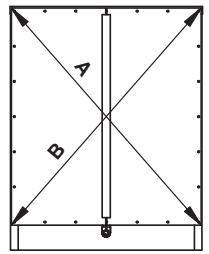
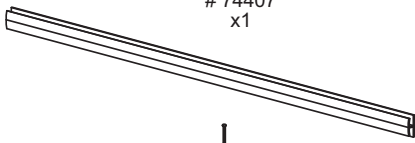


7

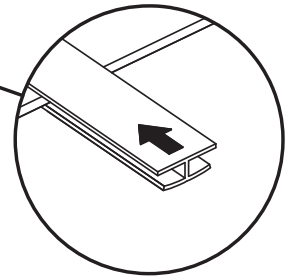
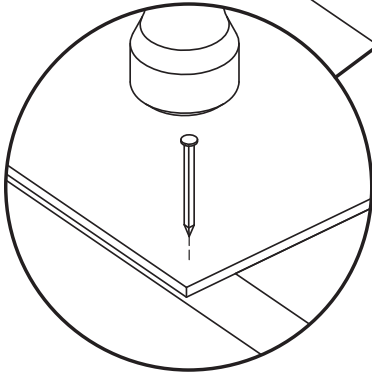
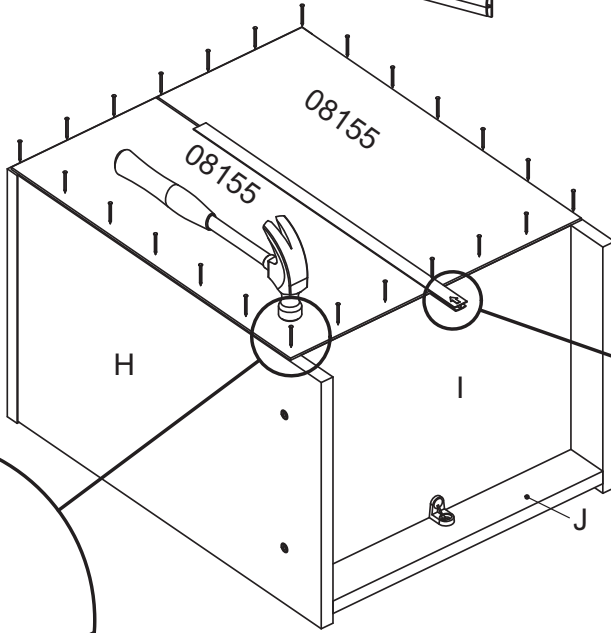
23006
x25



74407
x1

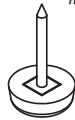


A = B

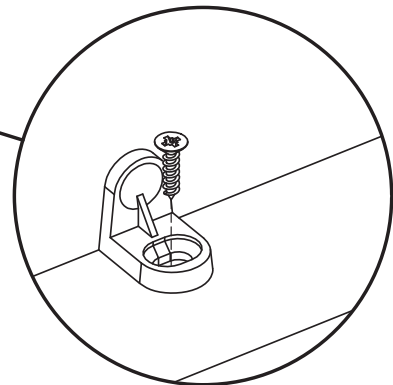
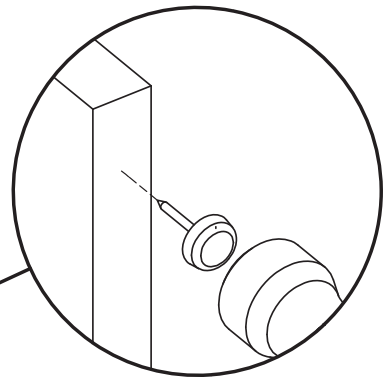
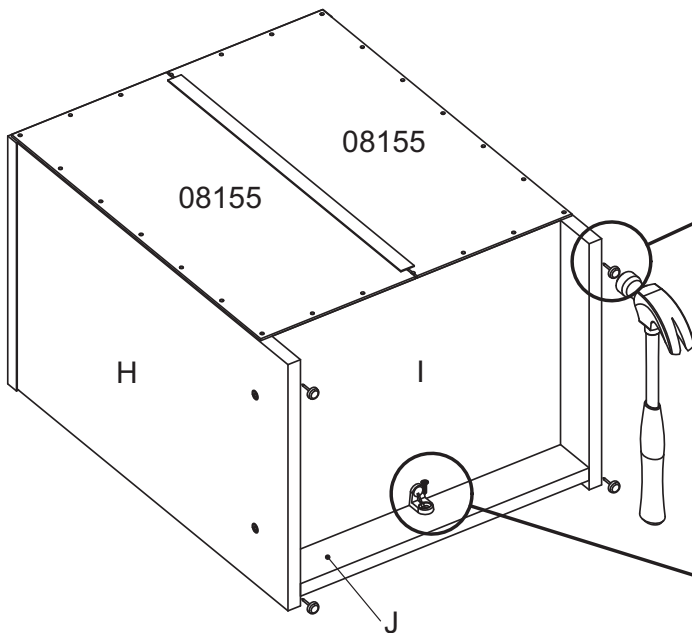


8

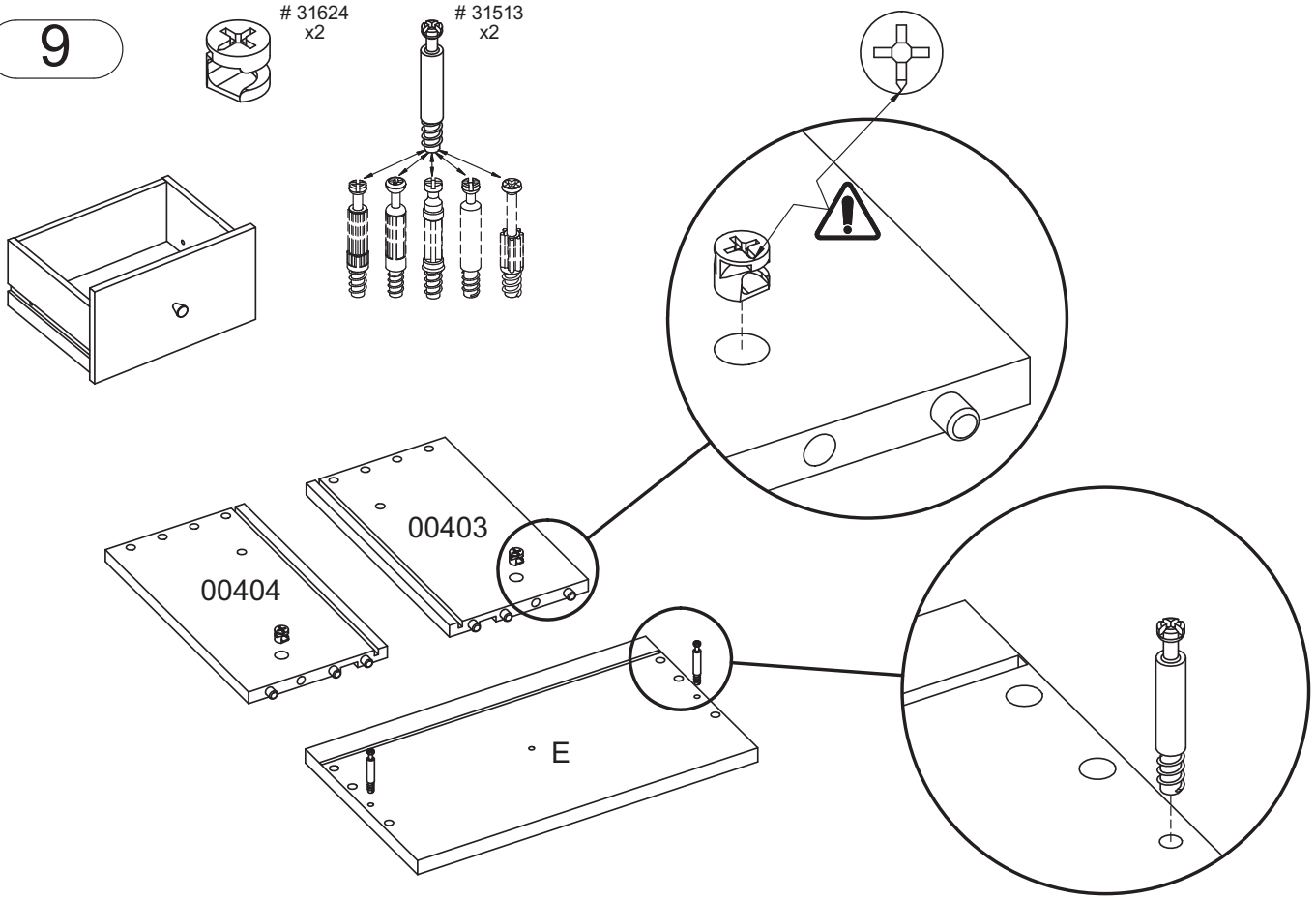
63001
x4



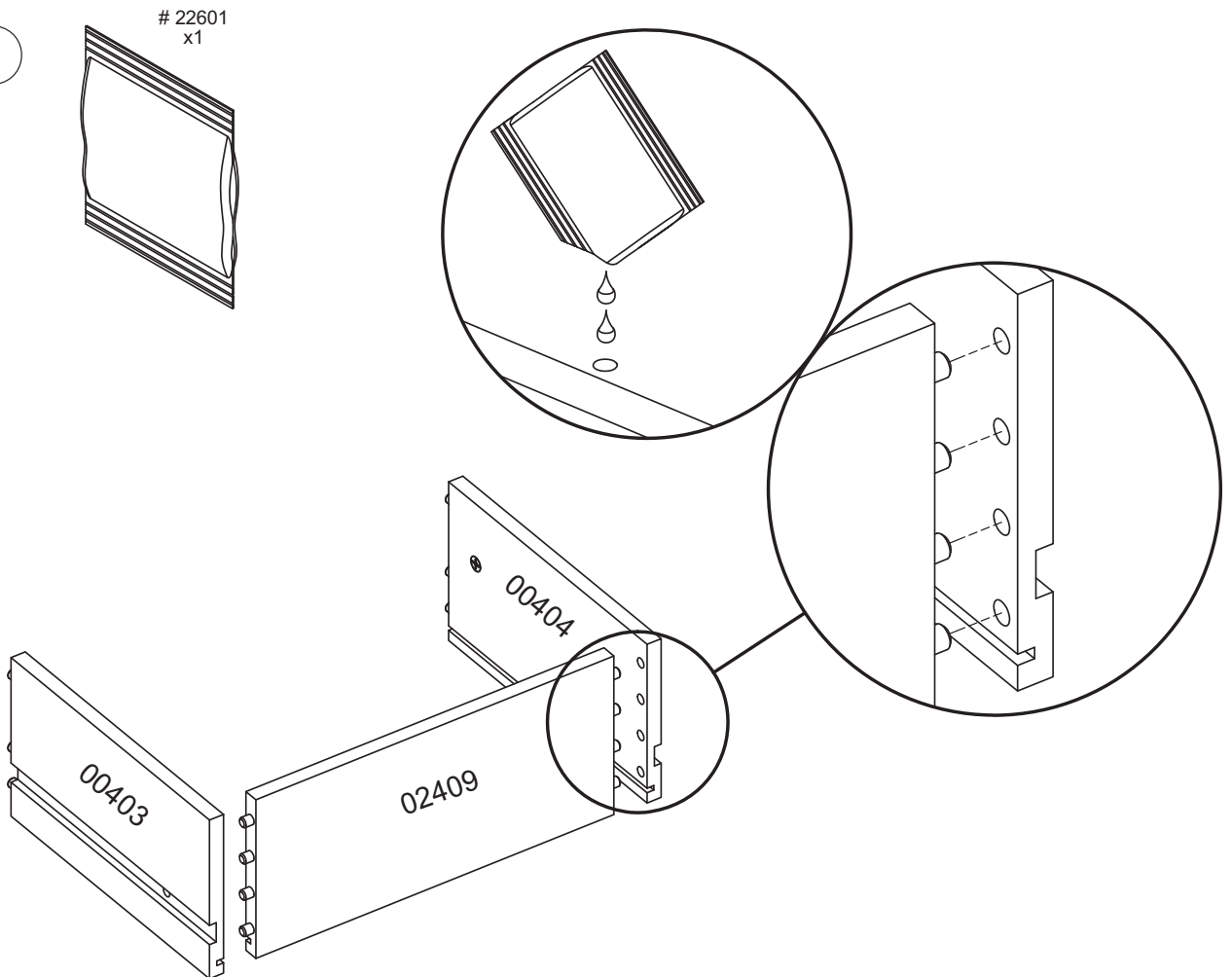
25233
x1



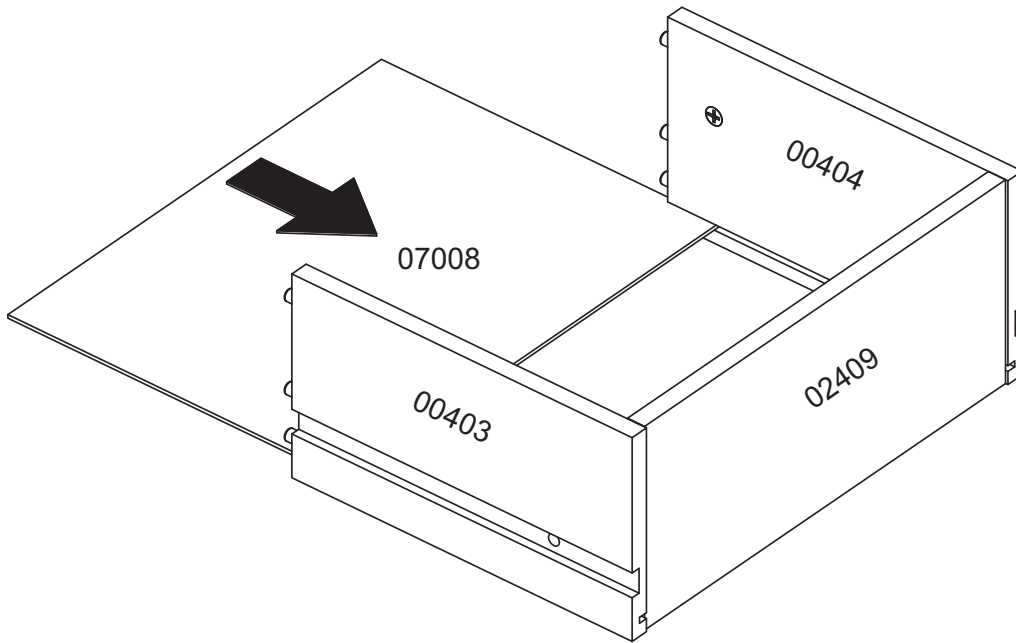
9



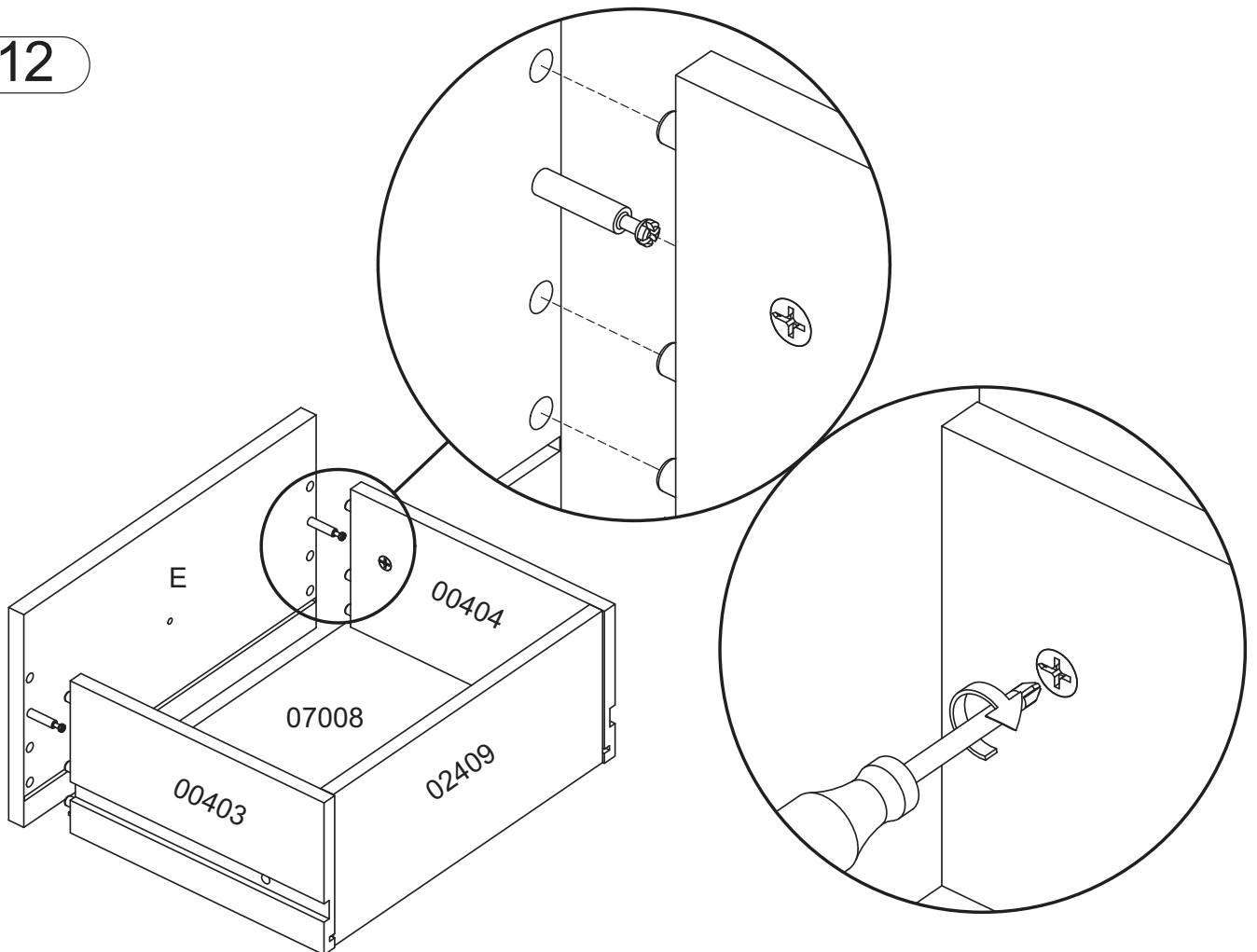
10



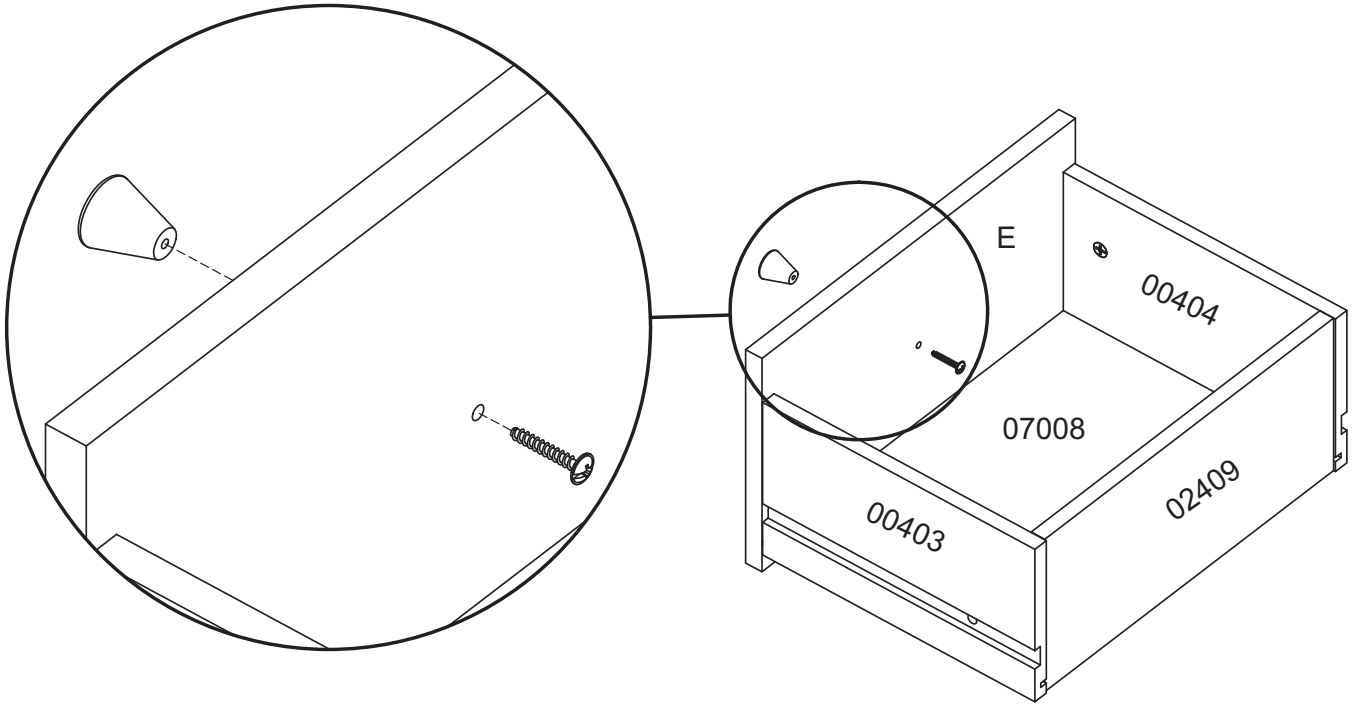
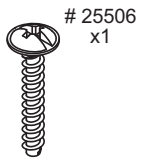
11



12



13



14

