

2101010 Hellerup Coffee Table Walnut Veneer





ASSEMBLY INSTRUCTIONS

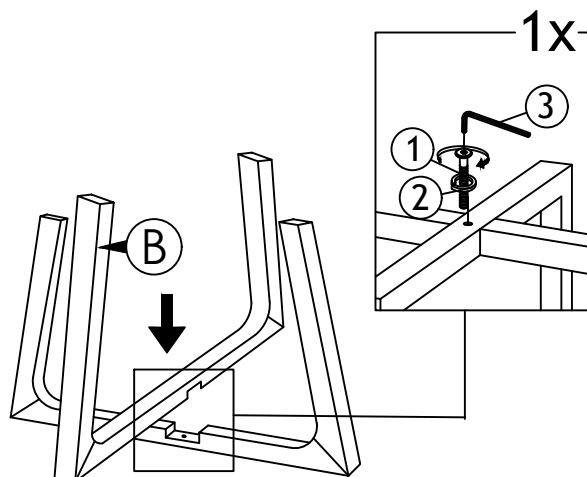
Read this instruction carefully. Refer hardware and furniture parts list for guidance. Be sure all parts are complete, before assembling. Place all wooden furniture part on a clean and flat soft surface to prevent scratches. Refer steps provided as assembling guide.

- CAUTIONS :**
1. Do not **FULLY-TIGHTEN** the nuts or nut bolts until all are in place.
 2. To prevent thread damage. Ensure that nuts or nut bolts are not over-tighten.
 3. Hardware are to be kept out of reach from children.

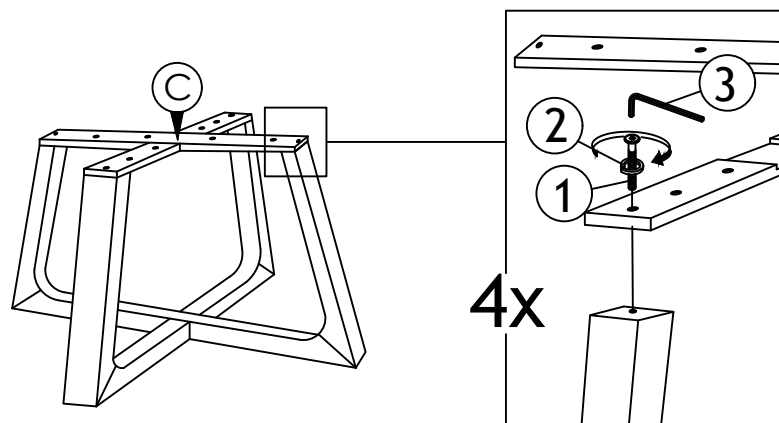
PART LIST		
ITEM	DESCRIPTION	QTY
A	TABLE TOP	1 PC
B	TABLE LEG (L & R)	2 PCS
C	LEG SUPPORT (L & R)	2 PCS

HARDWARE LIST			
ITEM	DESCRIPTION		QTY
1	JCBC SCREW M6 x 25MM		13 PCS
2	SPRING WASHER 1/4"		13 PCS
3	ALLEN KEY M4 BALL SHAPE SHAPE (LONG)		1 PC
4	AJUSTABLE GLIDE C83		4 PCS

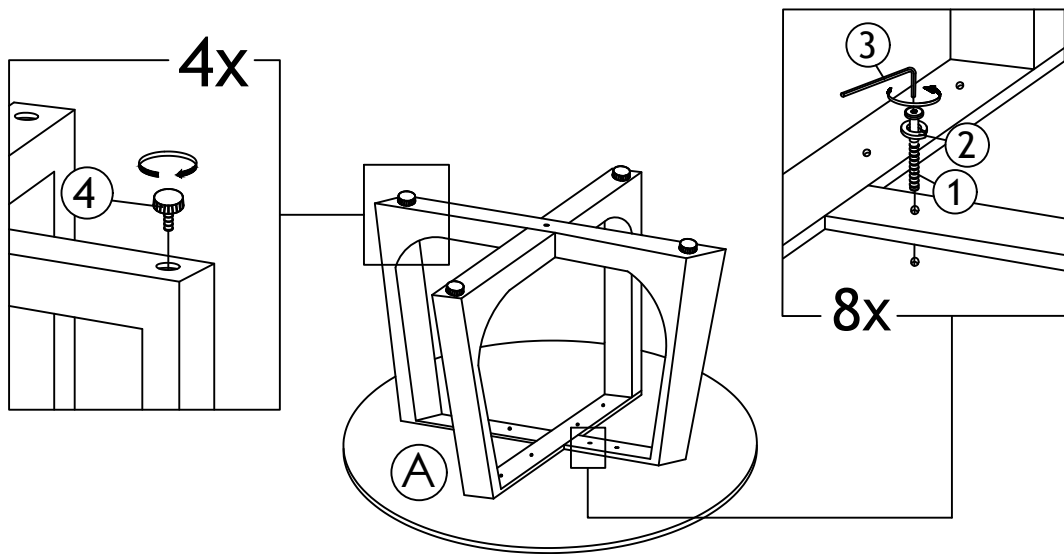
STEP 1



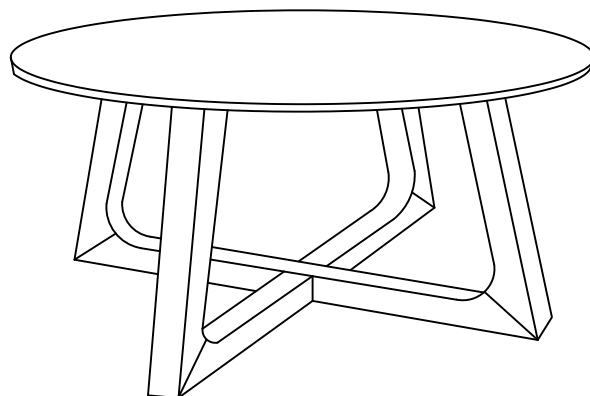
STEP 2



STEP 3



STEP 4



ASSEMBLY COMPLETELY