

Technical Drawing

CA600 | Halifax Storage Unit with Drawers

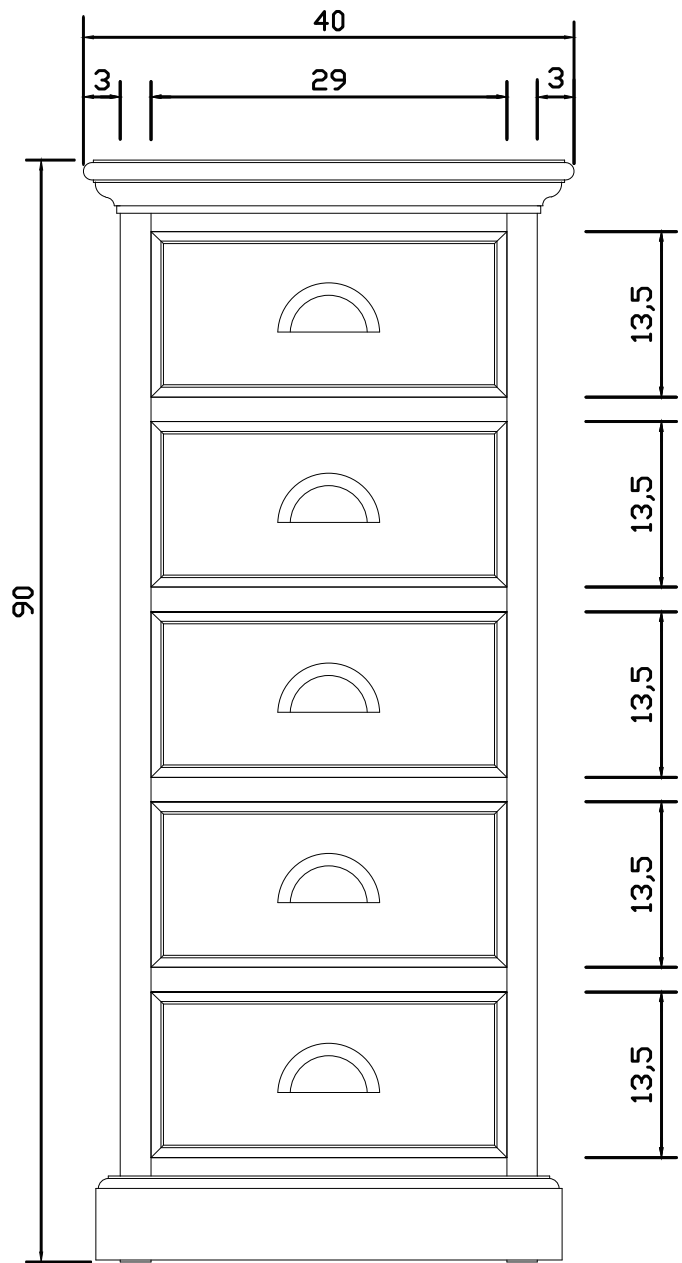
90cm x 40cm x 30cm

NOVA^{SOLO}

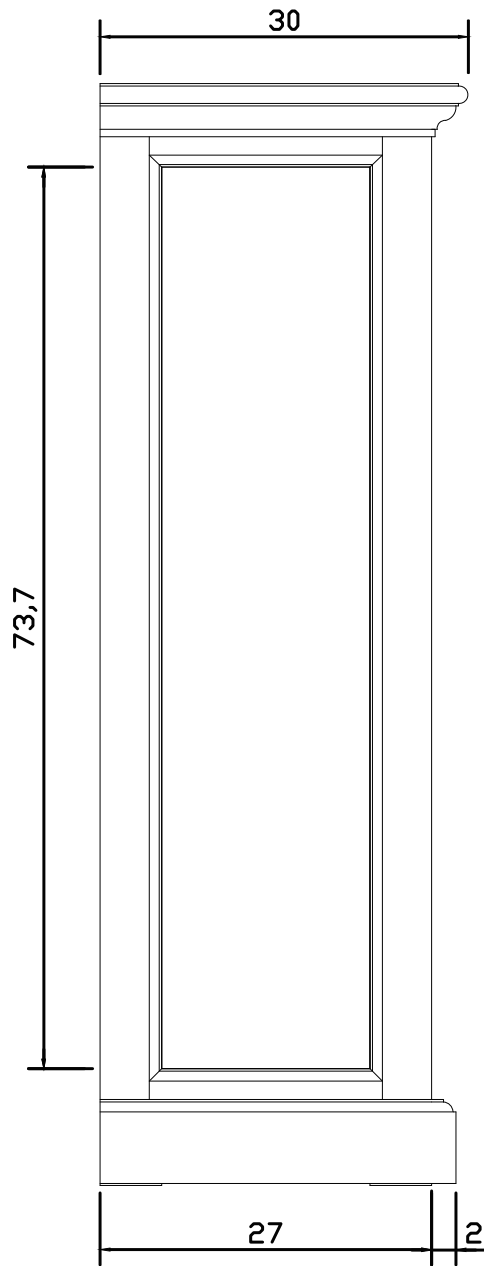




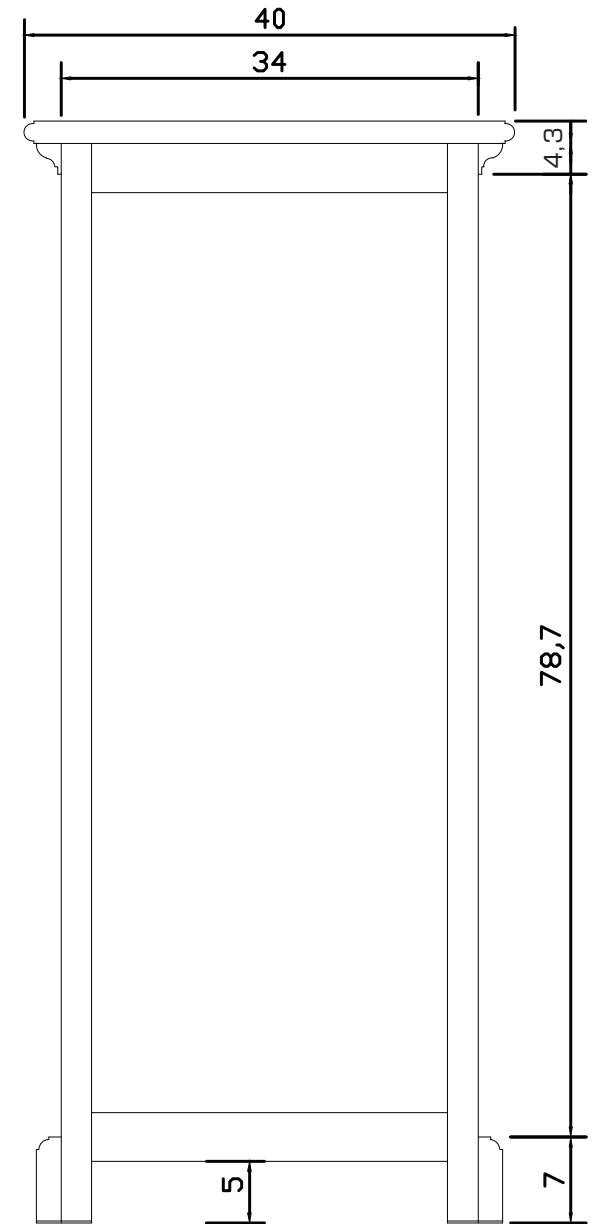
PERSPECTIVE



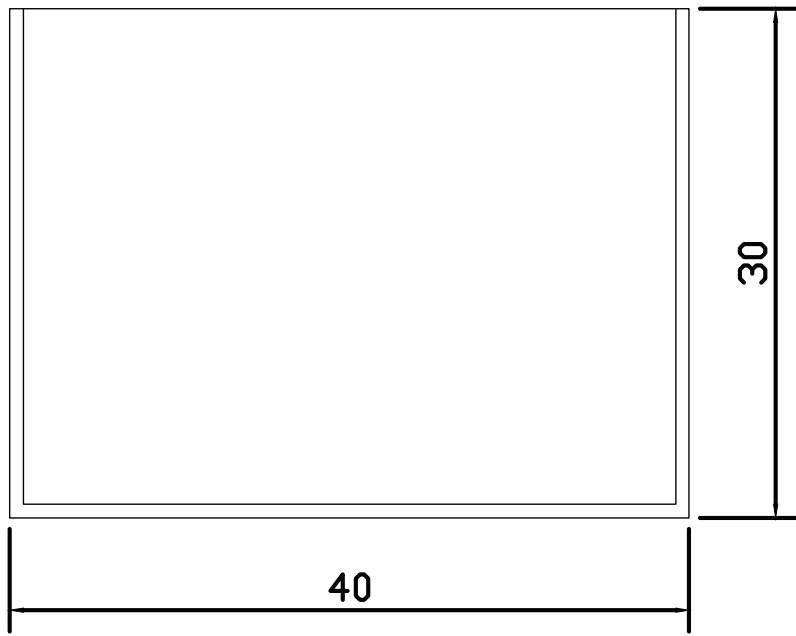
FRONT VIEW



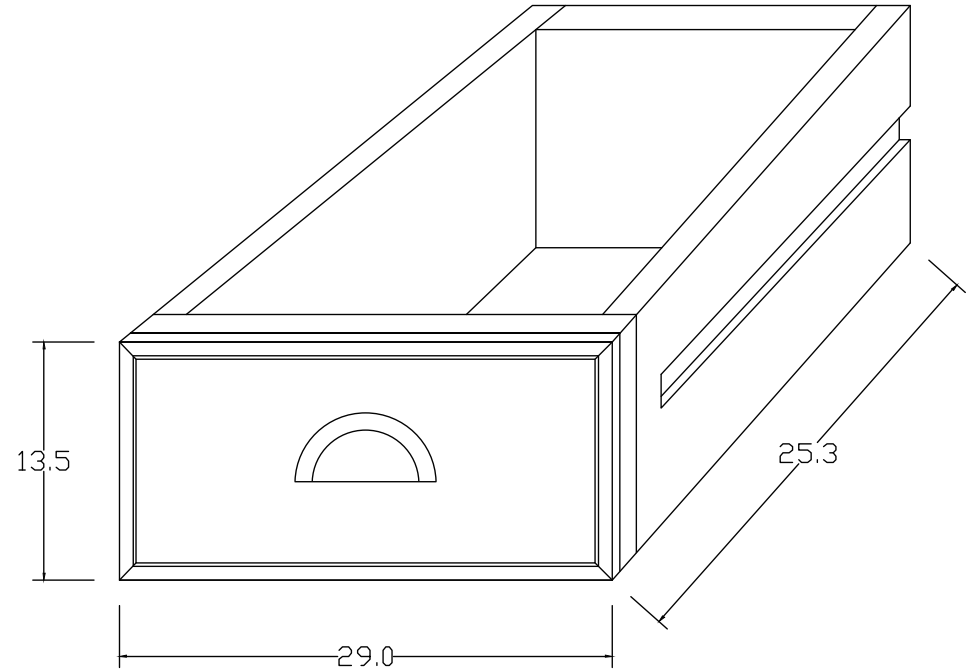
SIDE VIEW



BACK VIEW



TOP VIEW



DETAIL DRAWER