

Technical Drawing

CA602

Halifax Single Vitrine

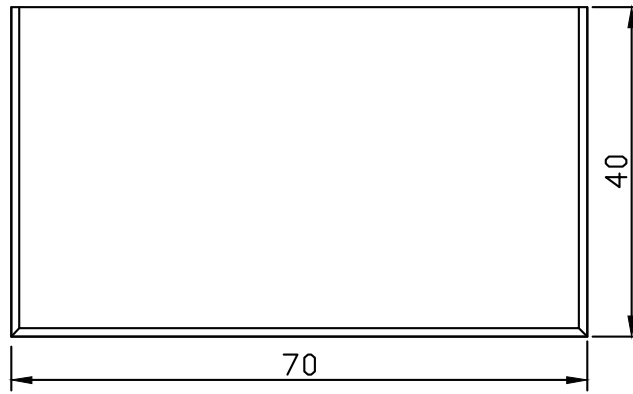
190cm x 70cm x 40cm

NOVA 3070

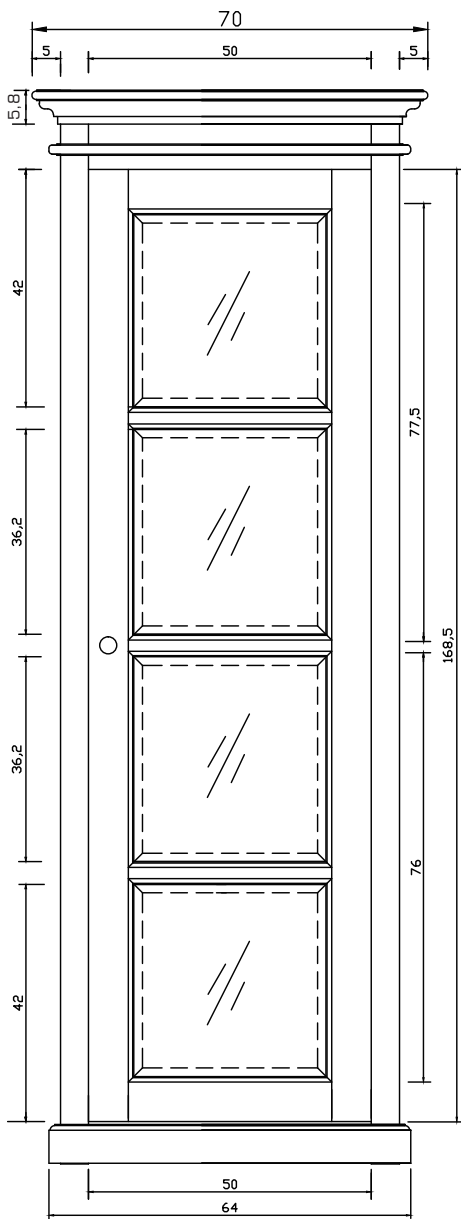




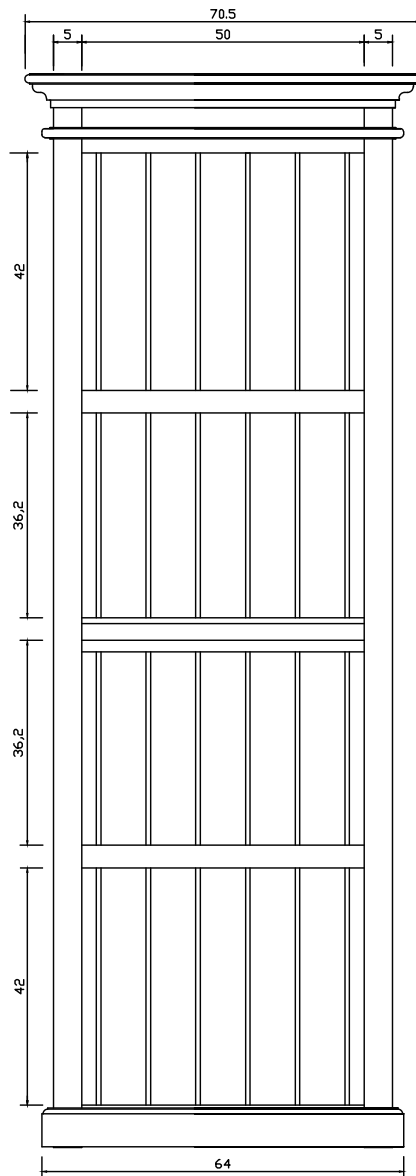
PERSPECTIVE



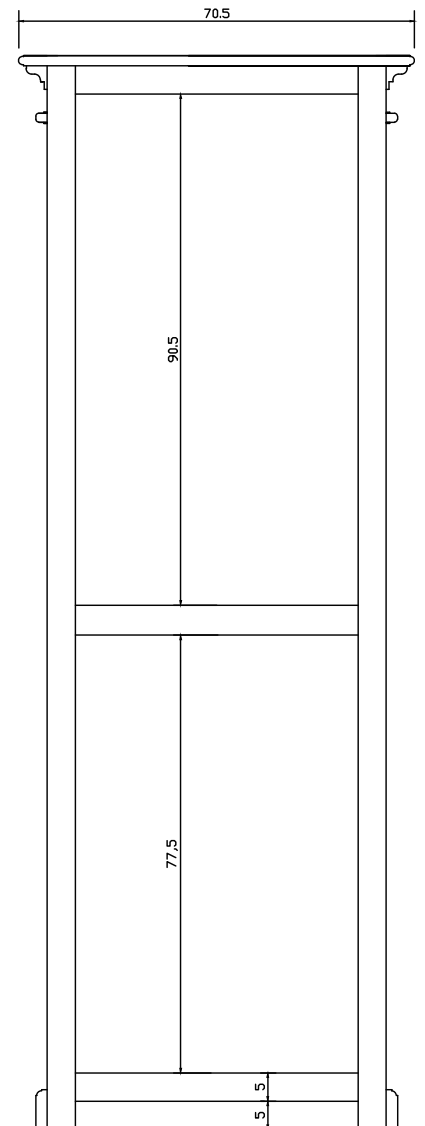
TOP VIEW



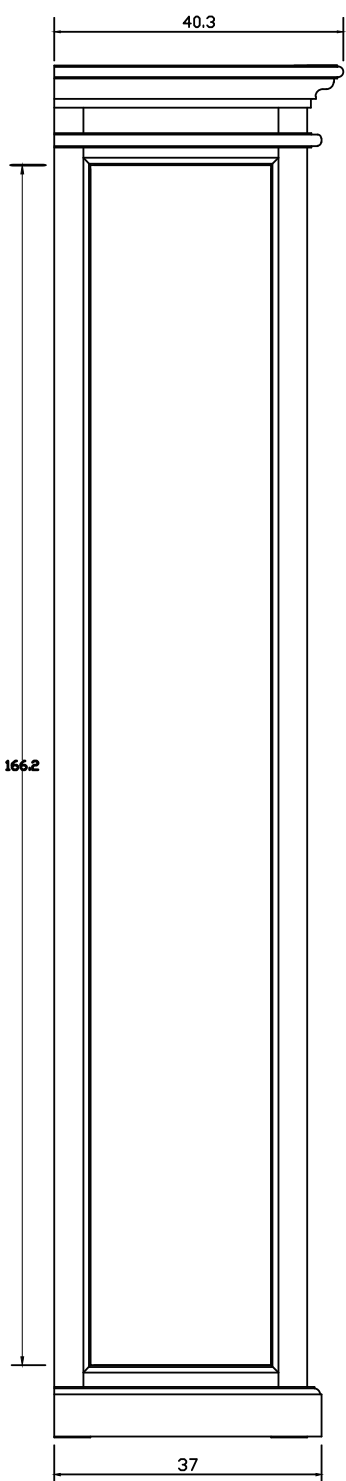
FRONT VIEW



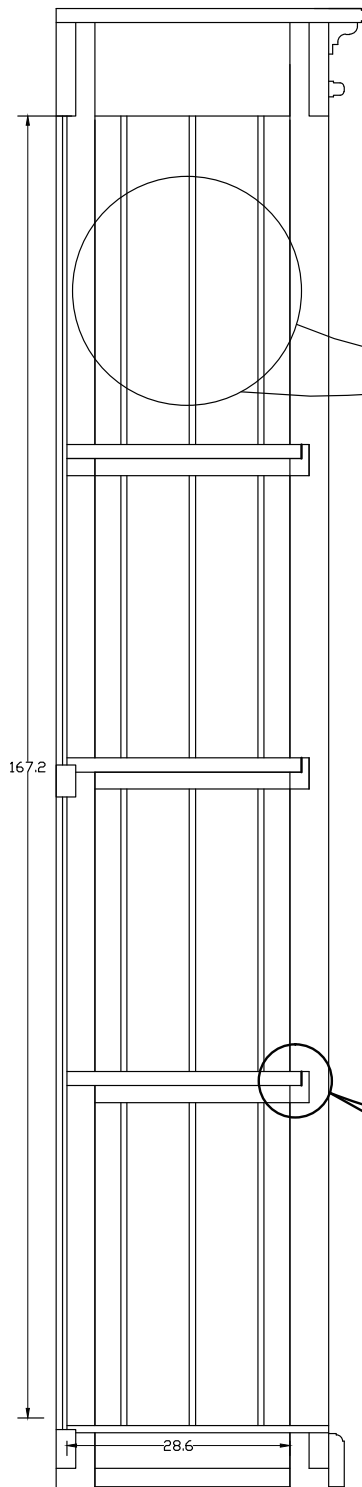
FRONT OPEN VIEW



BACK VIEW



SIDE VIEW



PICTURE

