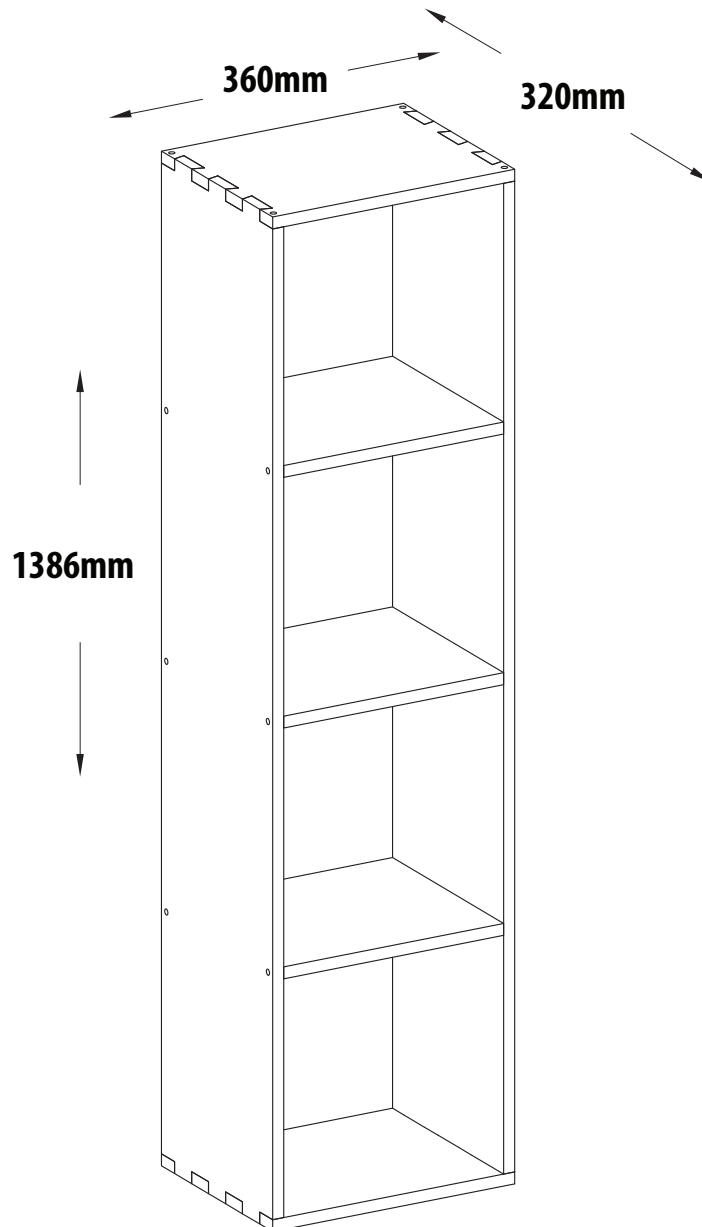
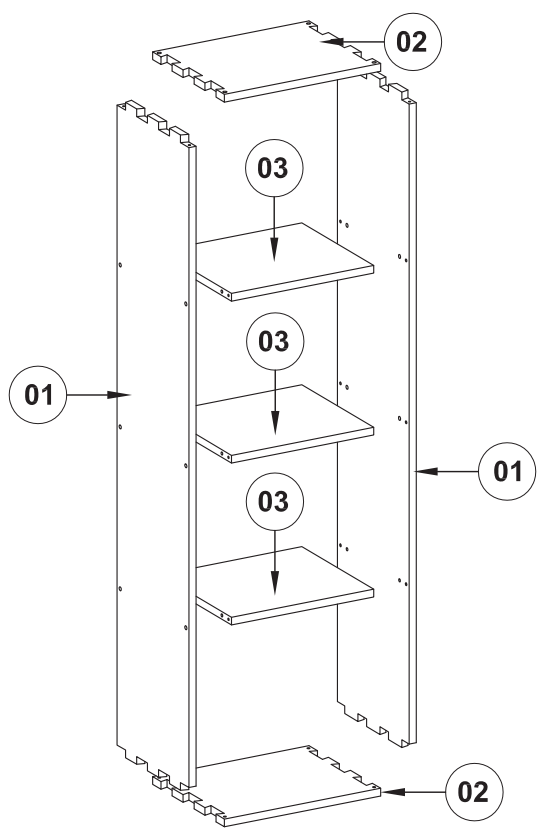
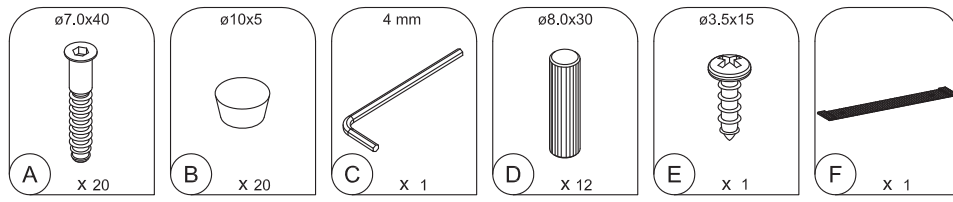


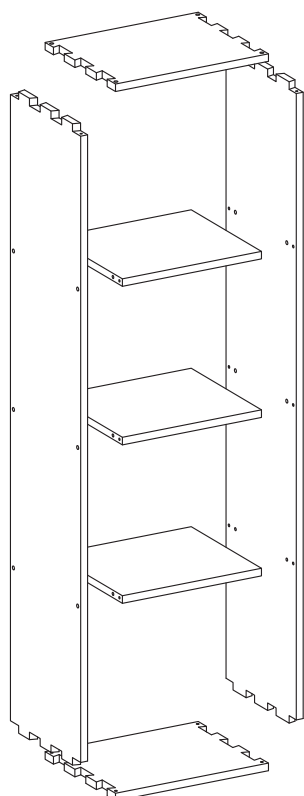


# PUZZLE - 4 ROOMS

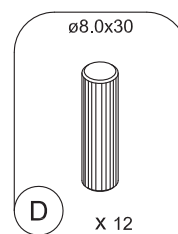
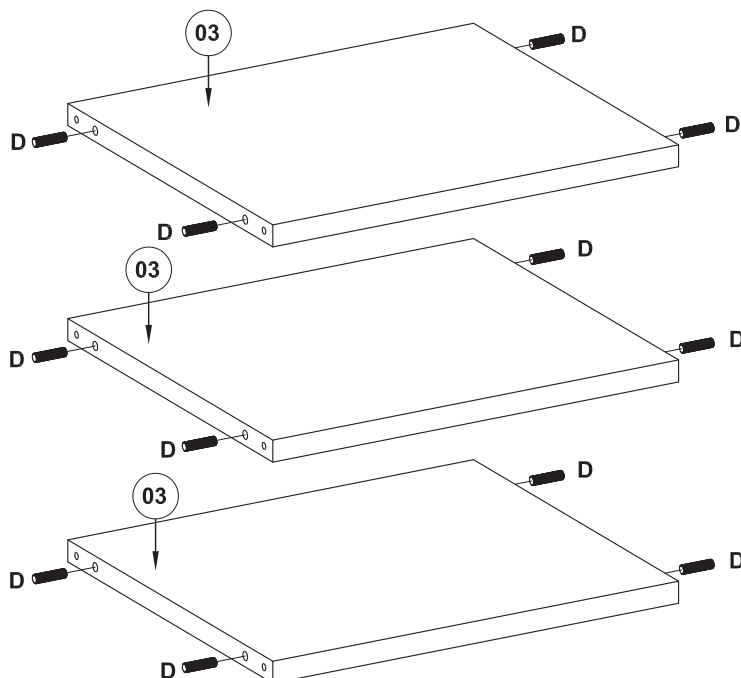




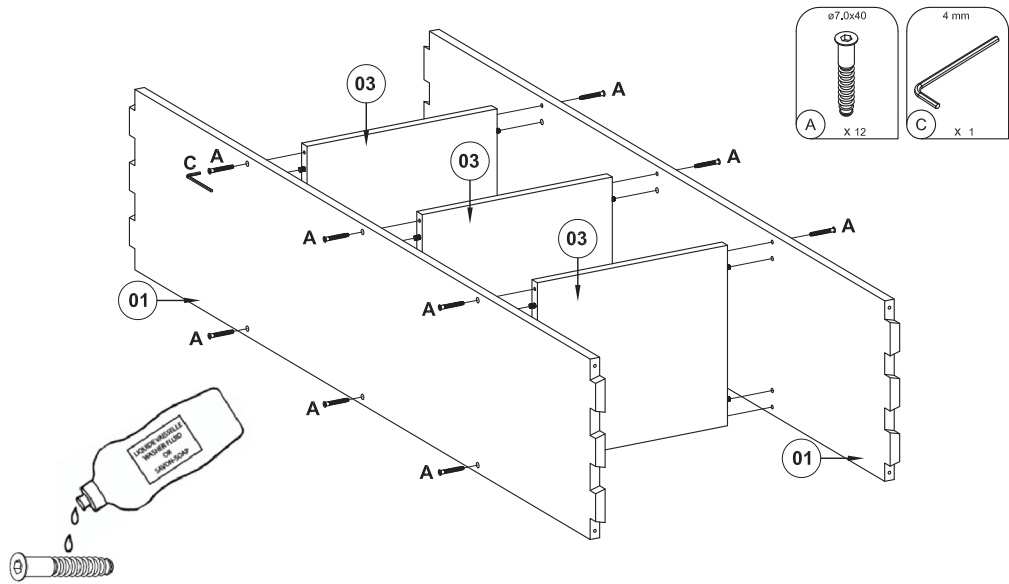
1



2



3



4

