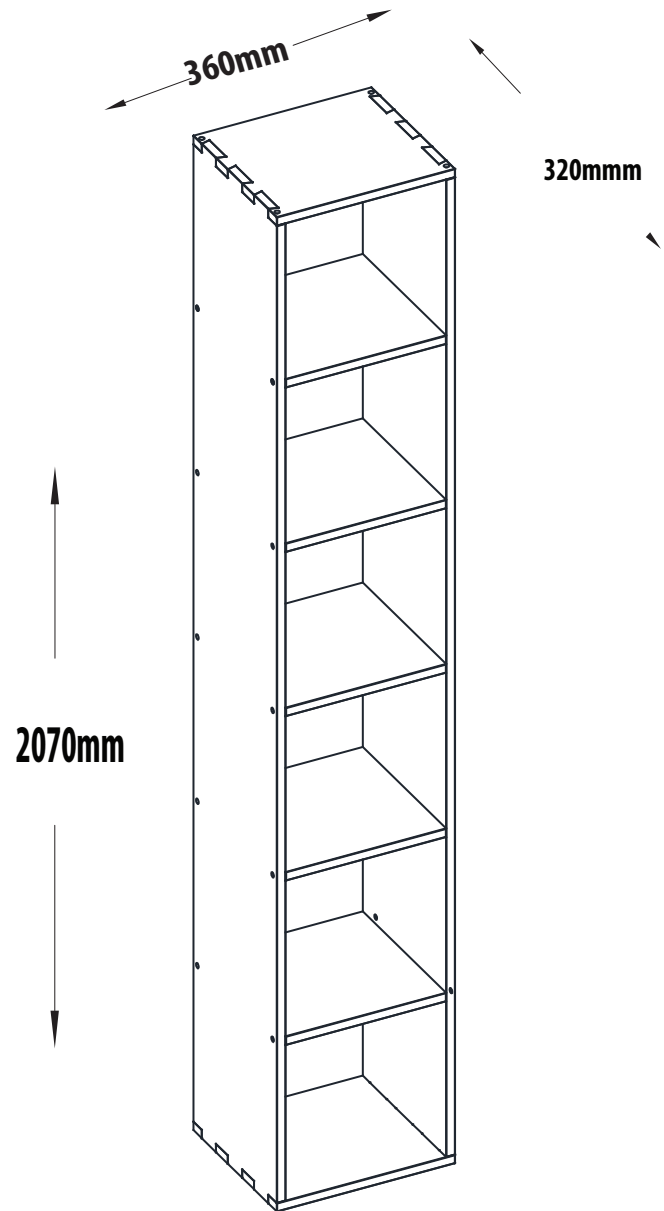
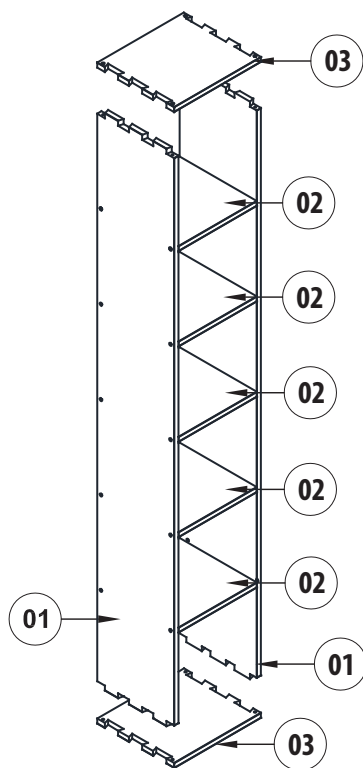
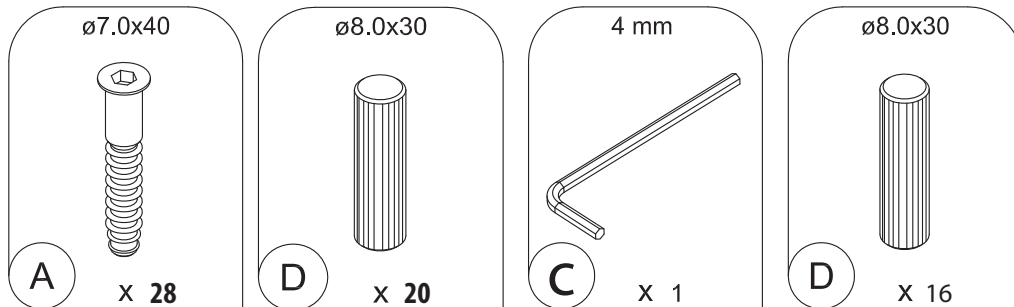


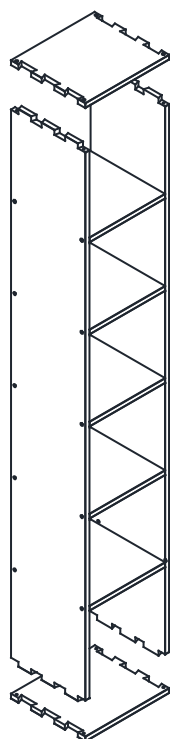


PUZZLE - 6 ROOMS

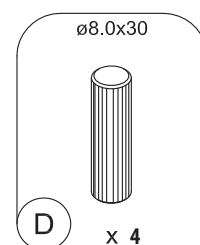
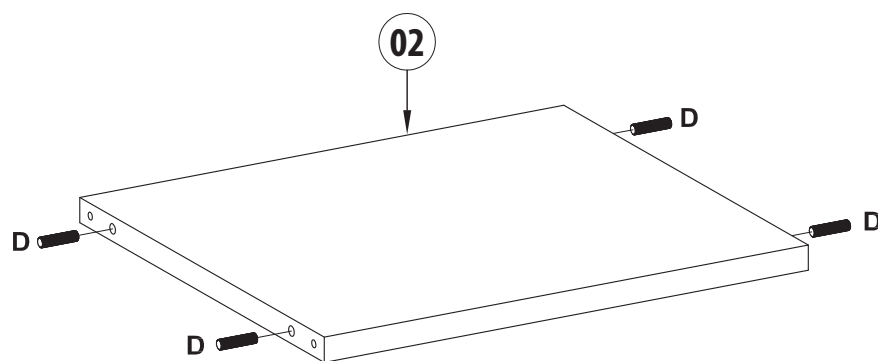




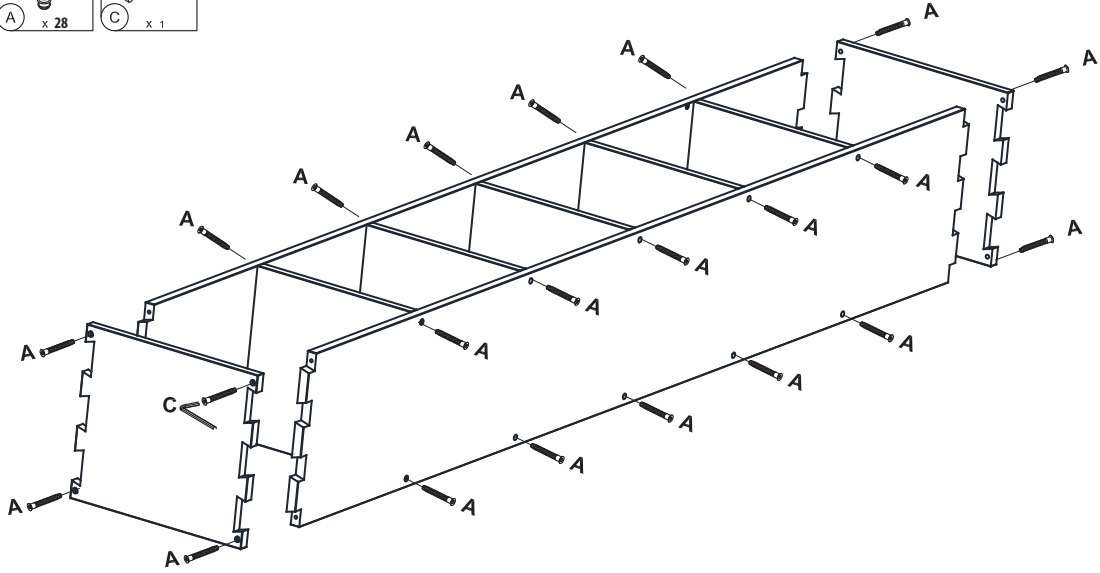
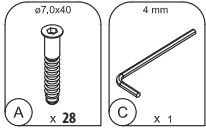
1



2



3



4

